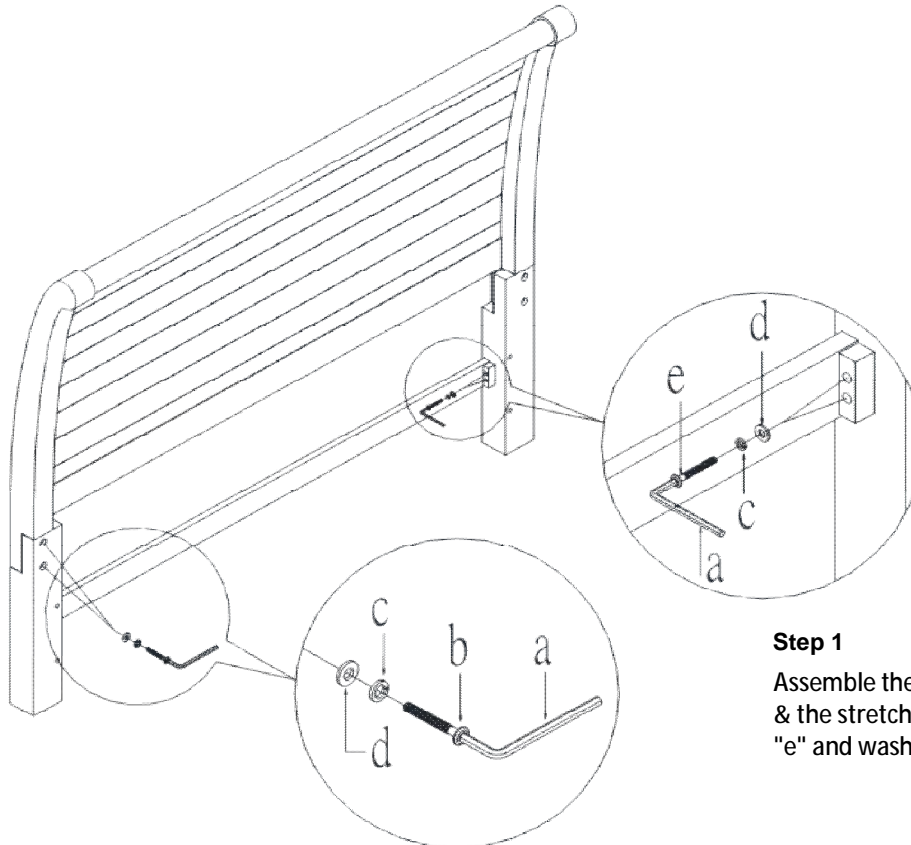


Assembly Instructions

2678-59H: Queen Sleigh Headboard

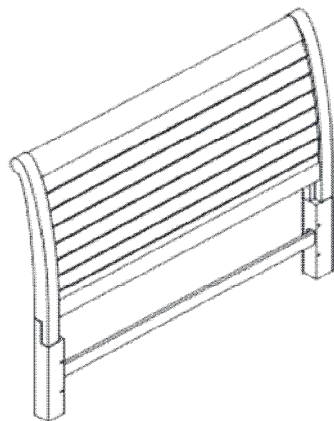
Thank you for purchasing this quality product. Be sure to check all packing materials carefully for small parts that may have come loose inside the carton during shipment.

***Caution: Please read all instructions carefully before starting the assembly process. These parts are cumbersome and heavy. Therefore, two people are recommended in order to prevent personal injury and insure the parts are not damaged during the assembly.








Step 1
Assemble the Headboard legs & the stretcher by using bolts "e" and washers.

Step 2
Assemble leg frame & Headboard panel by using bolts "b" and washers.



Assembly Completed

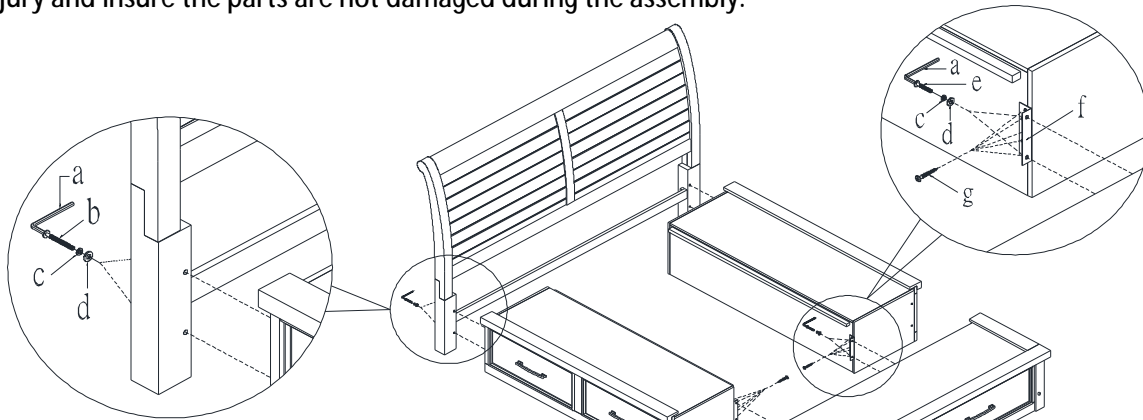
Code	Hardware List	Q'TY
a	Allen Key 4*74*29mm 	1 PC
b	Bolt ϕ 1/4"x 11.5 x 50mm 	4 PCS
c	Spring Washer ϕ 1/4"x ϕ 11x 2mm T 	8 PCS
d	Flat Washer ϕ 1/4"x ϕ 18 x 2mm T 	8 PCS
e	Bolt ϕ 1/4"x 11.5 x 38mm 	4 PCS

Assembly Instructions

2678-49USF: Queen Storage Footboard w/ 6 slats

Thank you for purchasing this quality product. Be sure to check all packing materials carefully for small parts that may have come loose inside the carton during shipment.

***Caution: Please read all instructions carefully before starting the assembly process. These parts are cumbersome and heavy. Therefore, two people are recommended in order to prevent personal injury and insure the parts are not damaged during the assembly.

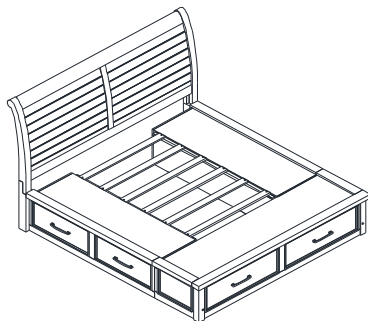
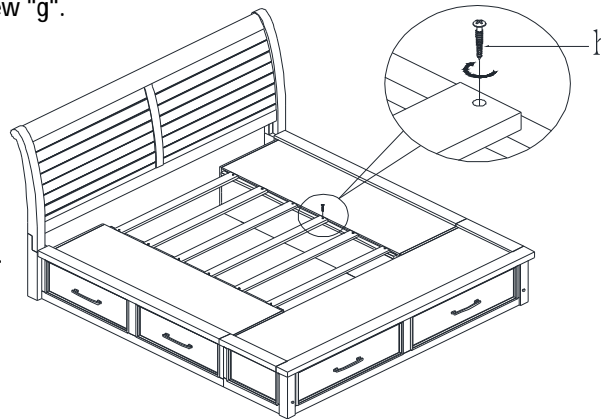


STEP 1









Attach storage rails to Headboard by using bolts "b" and washers, then attach "L" metal plate "f" to Footboard and storage rails by using bolts "e", washers, and screw "g".

STEP 2

Secure the slats by using screw "h".



Assembly Completed

Code	Hardware List	Q'TY
a	Allen Key 4*74*29mm 	1 PC
b	Bolt $\frac{1}{4}$ "x 11.5 x 105mm 	4 PCS
c	Spring Washer $\frac{1}{4}$ "x $\frac{1}{8}$ "x 2mm T 	8 PCS
d	Flat Washer $\frac{1}{4}$ "x $\frac{1}{8}$ "x 2mm T 	8 PCS
e	Bolt $\frac{1}{4}$ "x 11.5 x 25mm 	4 PCS
f	"L" Metal Plate 168 x 40 x 32mm 	2 PCS
g	Screw #8 x 19mm 	10 PCS
h	Screw #8 x 30mm 	12 PCS