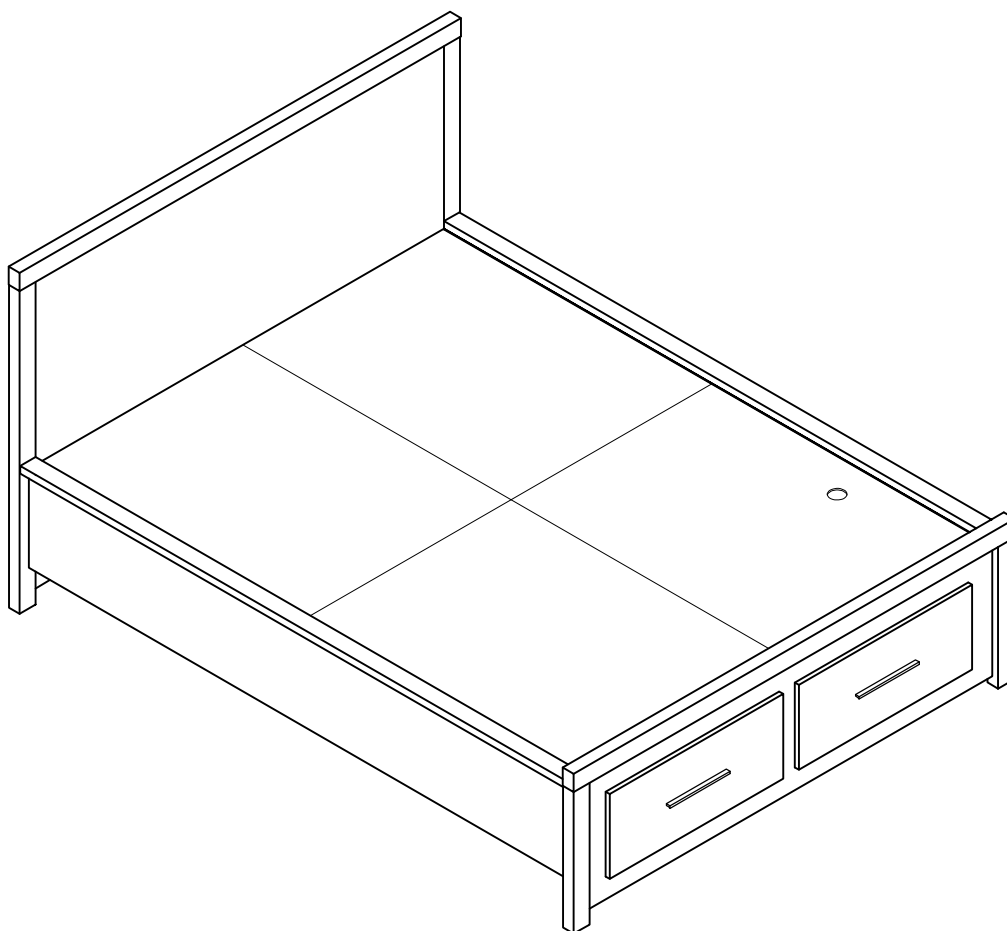


# ASSEMBLY INSTRUCTIONS / INSTRUCTIONS D'ASSEMBLAGE

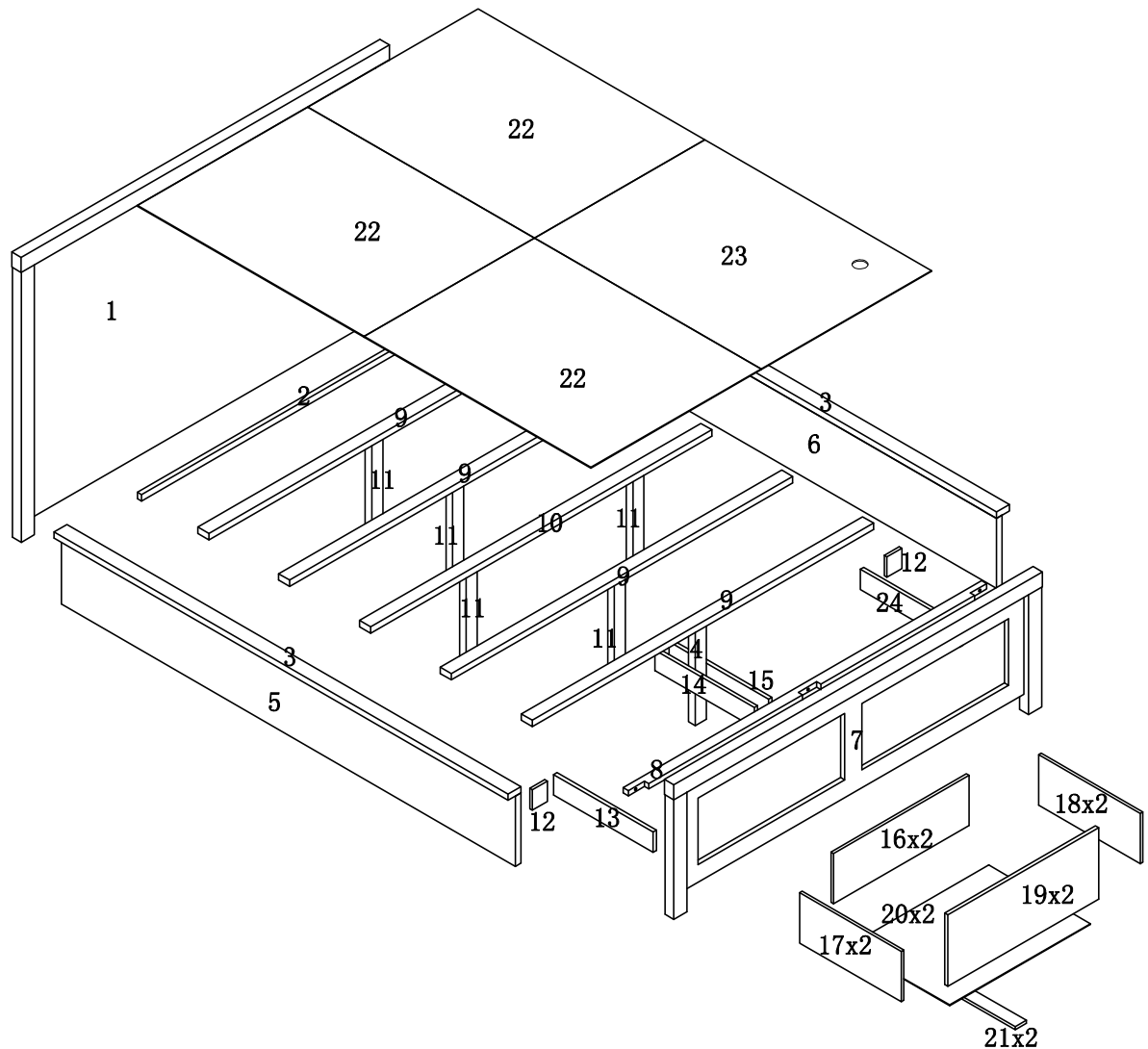
---

ITEM NO/NO ARTICLE: SIERA-FHF/9402FHB  
SIERA-FRL/9402FFBRL



# PARTS IDENTIFICATIONS / IDENTIFICATION DES PIECES

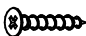




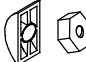




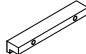




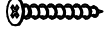

ITEM NO/NO ARTICLE: SIERA-FHF/9402FHB  
SIERA-FRL/9402FFBRL



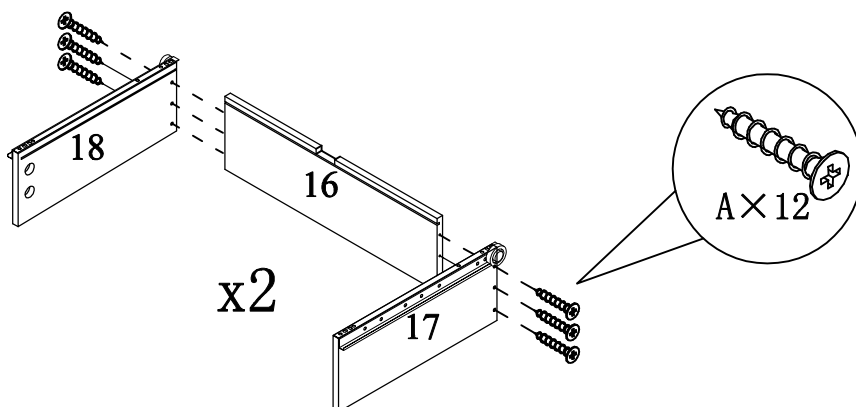
(1) 1pc/pce	(10) 1pc/pce	(19) 2pcs/pces
(2) 1pc/pce	(11) 6pcs/pces	(20) 2pcs/pces
(3) 2pcs/pces	(12) 2pcs/pces	(21) 2pcs/pces
(4) 1pc/pce	(13) 1pc/pce	(22) 3pcs/pces
(5) 1pc/pce	(14) 1pc/pce	(23) 1pc/pce
(6) 1pc/pce	(15) 1pc/pce	(24) 1pc/pce
(7) 1pc/pce	(16) 2pcs/pces	
(8) 1pc/pce	(17) 2pcs/pces	
(9) 4pcs/pces	(18) 2pcs/pces	

# HARDWARE IDENTIFICATIONS/ IDENTIFICATION DU KIT D'ASSEMBLAGE

ITEM NO/NO ARTICLE: SIERA-FHF/9402FHB  
SIERA-FRL/9402FFBRL

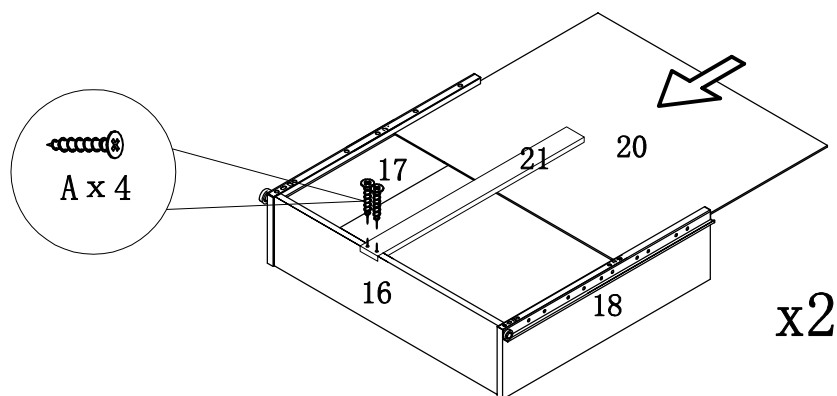
A		$\phi 4 \times 30$	20pcs/pces
B		$\phi 15$	16pcs/pces
C		L29	16pcs/pces
D		$\phi 8 \times 70$	4pcs/pces
E		$\phi 8 \times 90$	4pcs/pces
F		$\phi 8$	8pcs/pces
G		M13	1pc/pce
H		M5	1pc/pce
I		L20	8pcs/pces
J		$\phi 12$	8pcs/pces
K		256#	2pcs/pces
L		$\phi 4 \times 22$	4pcs/pces
M		$\phi 4 \times 40$	24pcs/pces
N		$\phi 6 \times 30$	4pcs/pces
O		$\phi 8 \times 25$	14pcs/pces
P		$\phi 4 \times 35$	7pcs/pces
Q		To firmly secure the cover to the connecting hole / Pour coller la rondelle au trou de connexion	1pc/pce

# ITEM NO/NO ARTICLE: SIERA-FHF/9402FHB SIERA-FRL/9402FFBRL

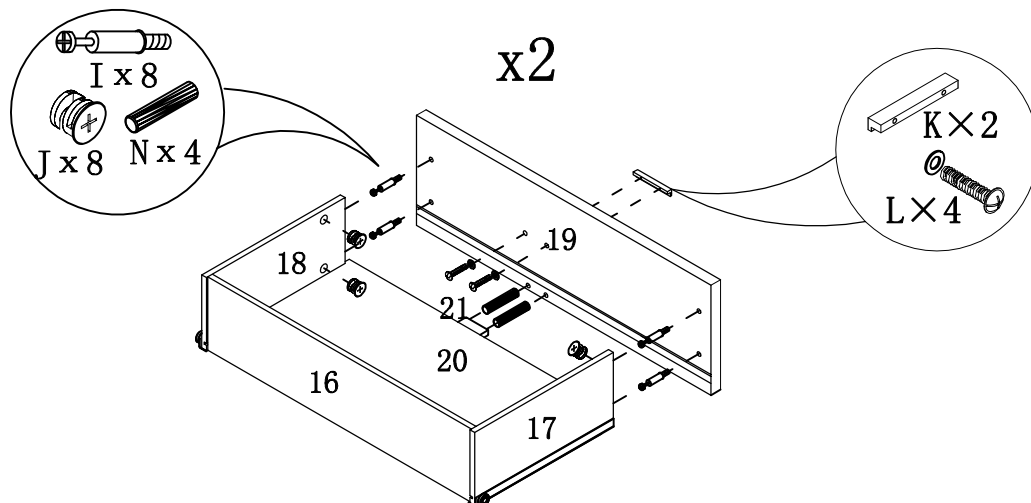


STEP 1 / ETAPE 1

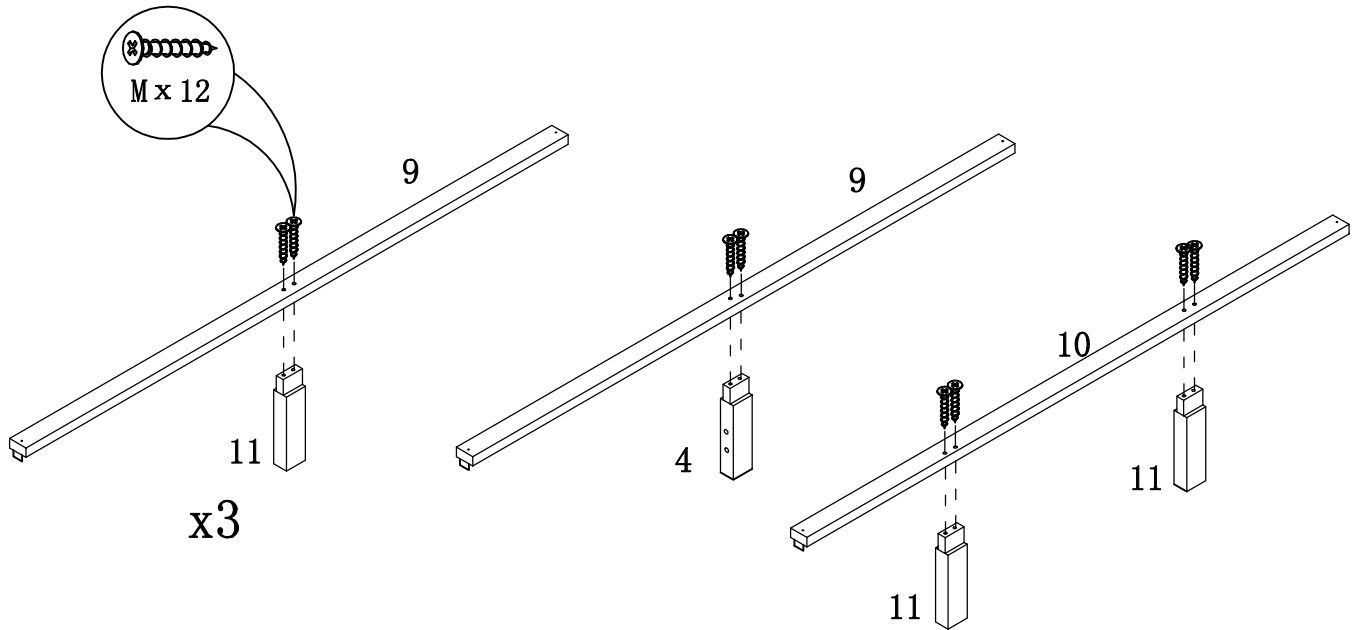
STEP 2 / ETAPE 2



STEP 3 / ETAPE 3

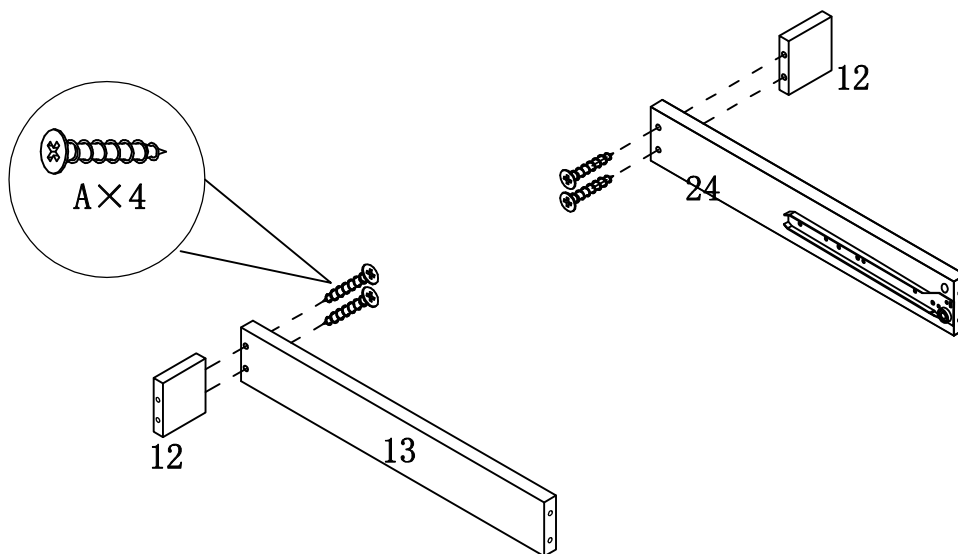


ITEM NO/NO ARTICLE: SIERA-FHF/9402FHB  
SIERA-FRL/9402FFBRL



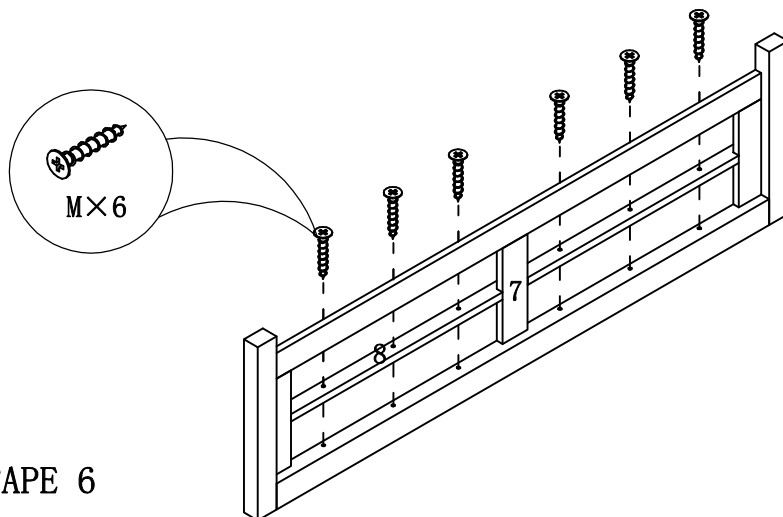
STEP 4 / ETAPE 4

STEP 5 / ETAPE 5



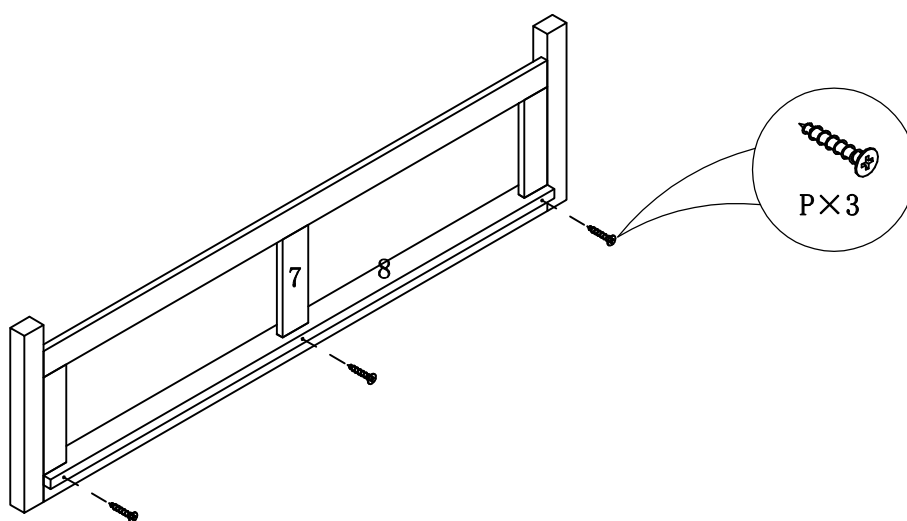
ITEM NO/NO ARTICLE: SIERA-FHF/9402FHB  
SIERA-FRL/9402FFBRL

---

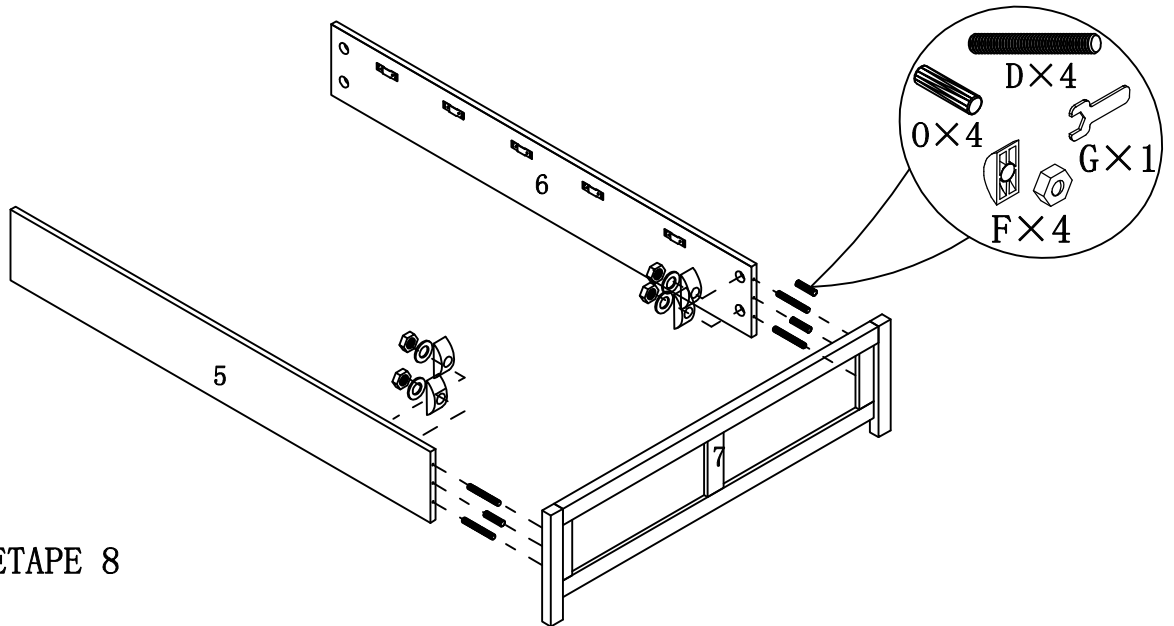


STEP 6 / ETAPE 6

STEP 7 / ETAPE 7

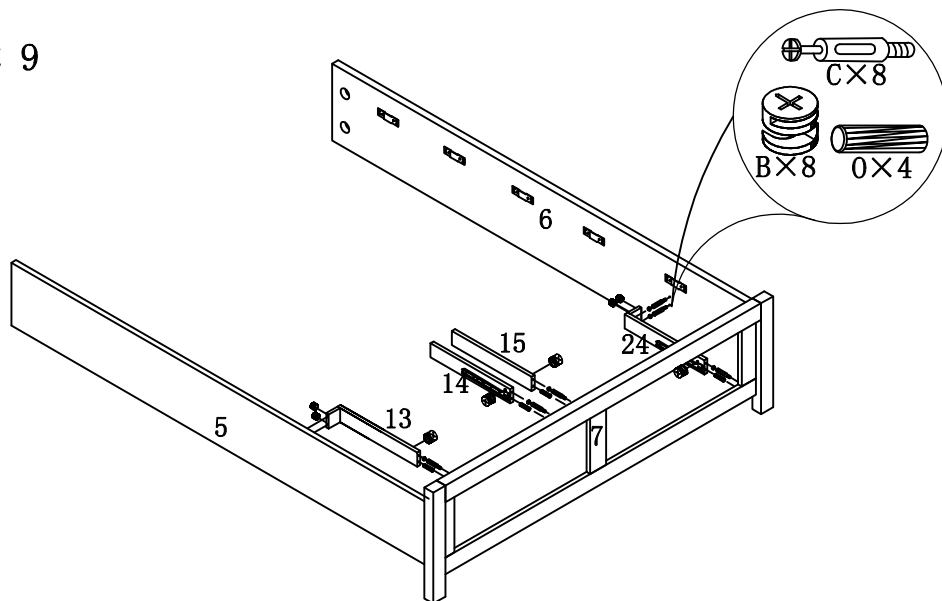


ITEM NO/NO ARTICLE: SIERA-FHF/9402FHB  
SIERA-FRL/9402FFBRL

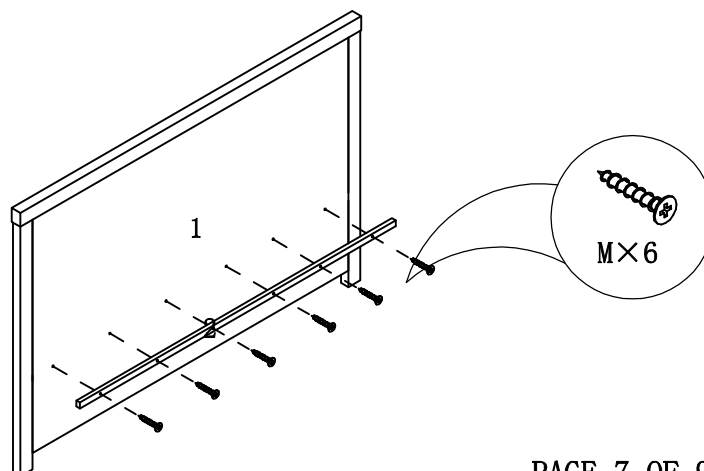


STEP 8 / ETAPE 8

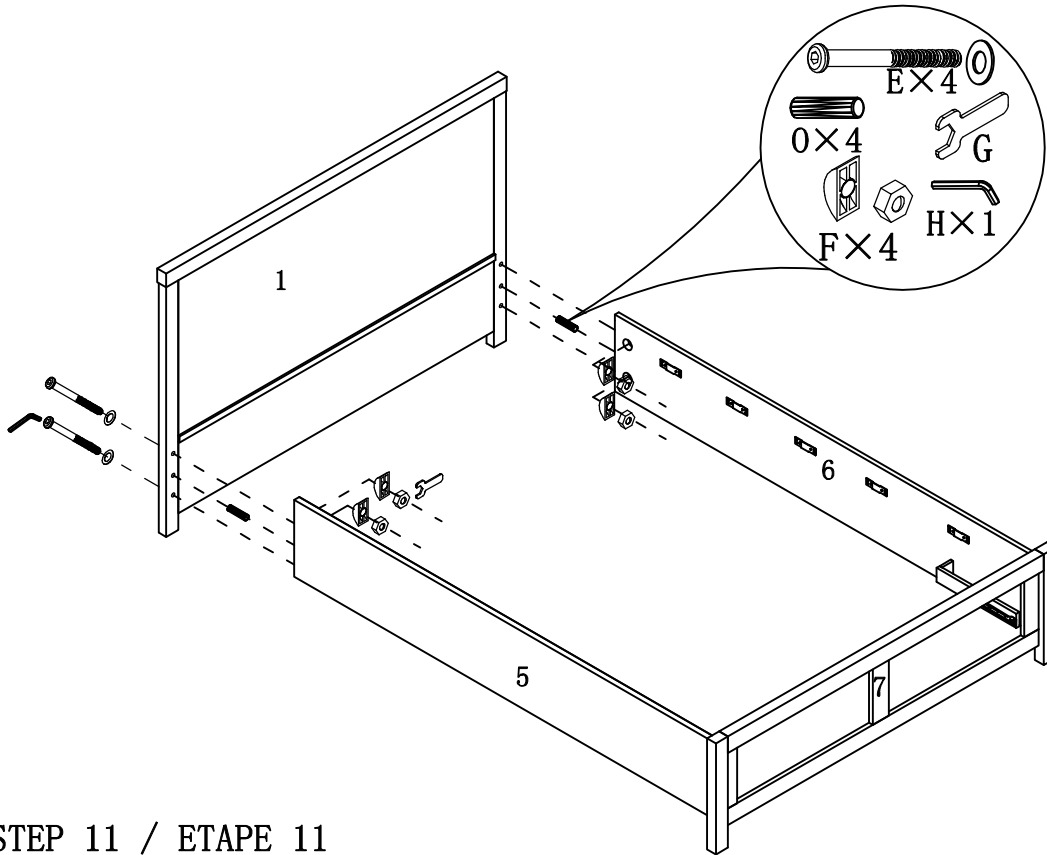
STEP 9 / ETAPE 9



STEP 10 / ETAPE 10

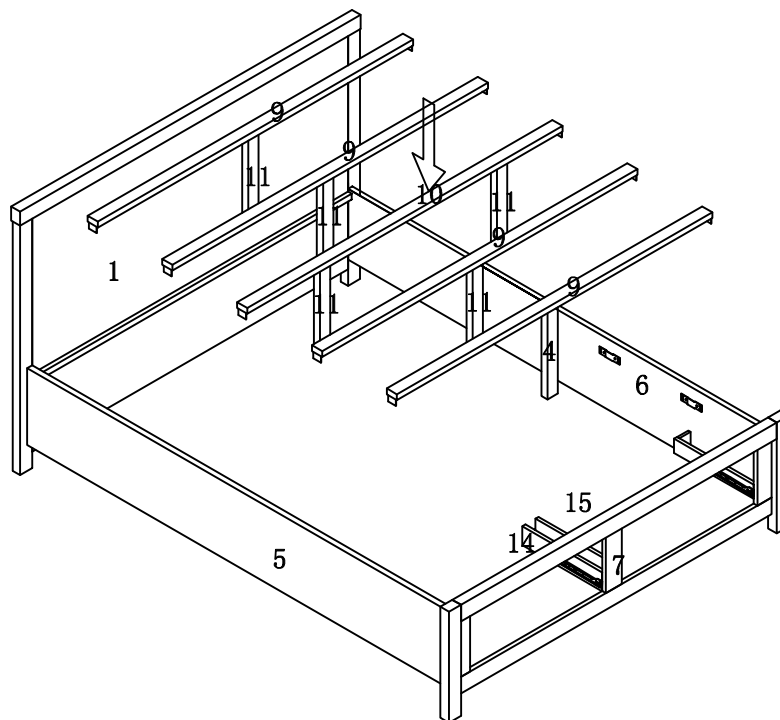


ITEM NO/NO ARTICLE: SIERA-FHF/9402FHB  
SIERA-FRL/9402FFBRL



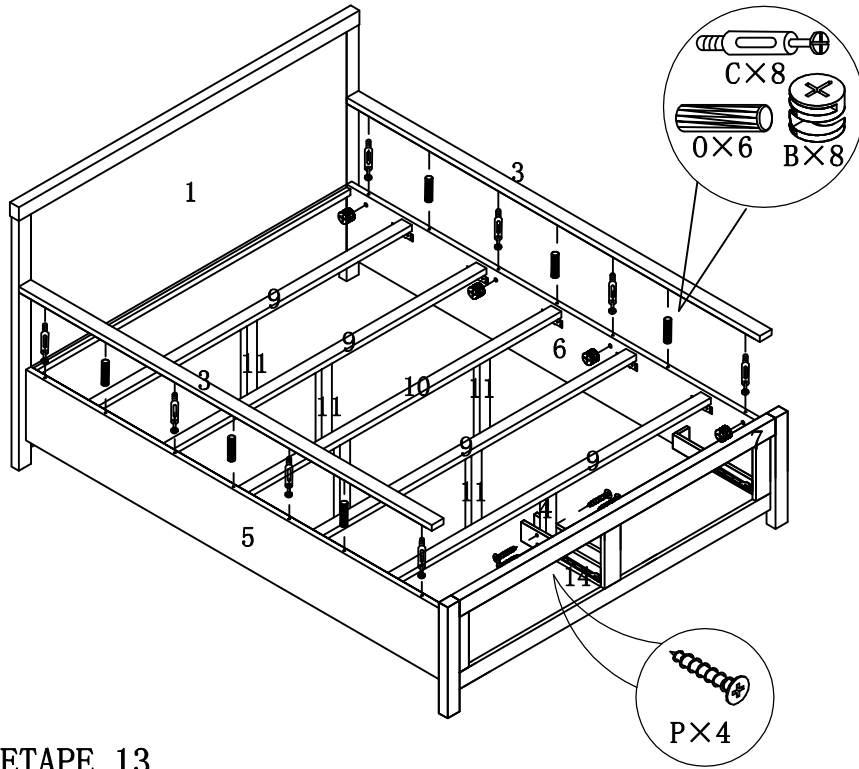
STEP 11 / ETAPE 11

STEP 12 / ETAPE 12





ITEM NO/NO ARTICLE: SIERA-FHF/9402FHB  
SIERA-FRL/9402FFBRL



STEP 13 / ETAPE 13

STEP 14 / ETAPE 14

