



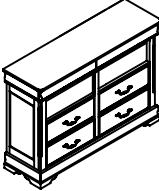
# ASSEMBLY INSTRUCTION


GROUP NO : 82650-1 WESTCEHSTER CHERRY

ITEM NO : 82696-1 TV,CHEST

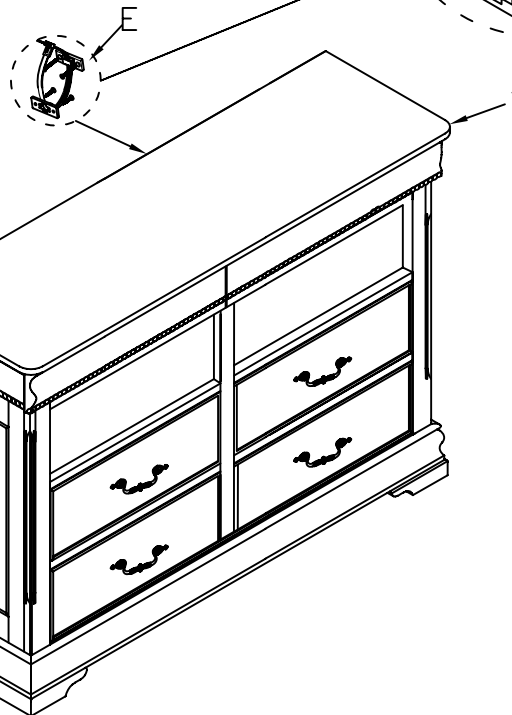
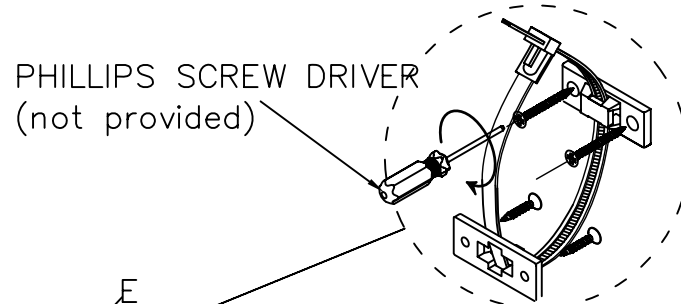
**Read instruction carefully prior for assembly.**

Thank you for purchasing this quality product. Check carefully for small parts which may have come loose during shipment. Remove all components from pack and place on soft surface to prevent scratching the finish during assembly. Identify and count all parts as specified below.

Item	Description		Qty
	Item name	Picture	
1	TV,Chest		1

HARDWARE LIST			
A		TIPPING RESTRAIN	1set

PHILLIPS SCREW DRIVER  
(not provided)



Cleaning instructions? Clean using soft cloth.

MADE IN VIET NAM



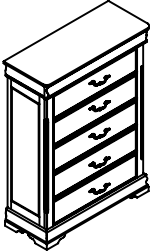
# ASSEMBLY INSTRUCTION


GROUP NO : 82650-1 WESTCEHSTER CHERP

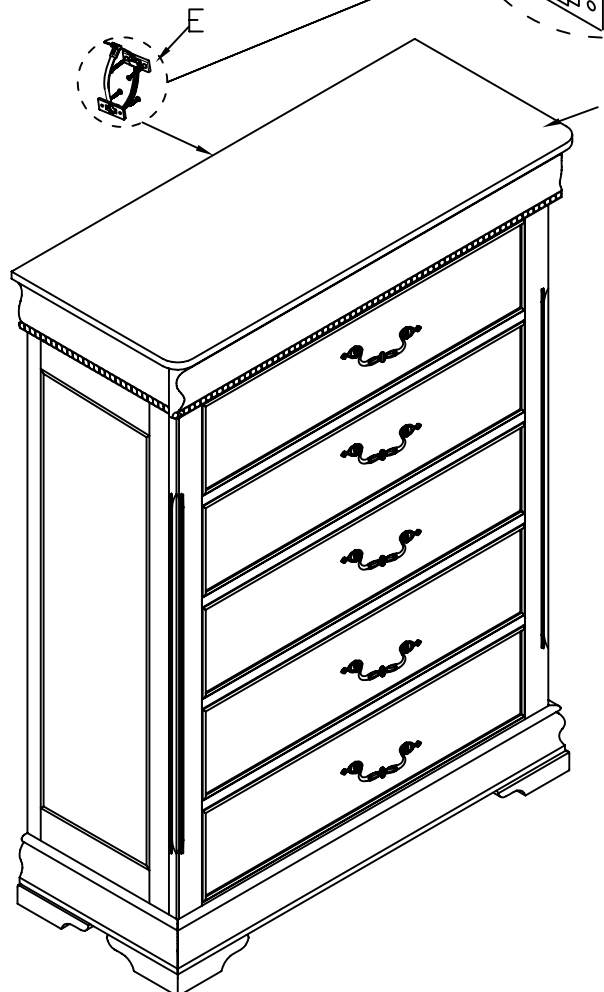
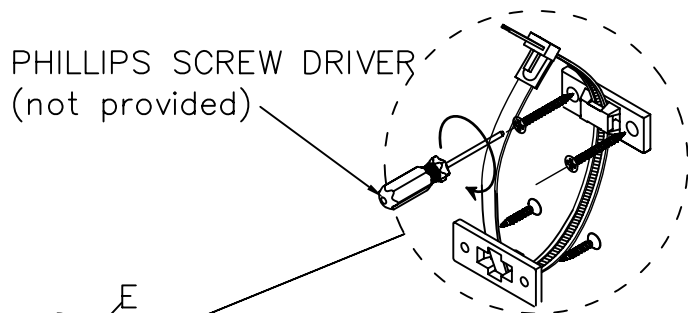
ITEM NO : 82655-1 DRAWER,CHEST

**Read instruction carefully prior for assembly.**

Thank you for purchasing this quality product. Check carefully for small parts which may have come loose during shipment. Remove all components from pack and place on soft surface to prevent scratching the finish during assembly. Identify and count all parts as specified below.

Item	Description		Qty.
	Item Name	Picture	
1	Drawer,Chest		1

HARDWARE LIST			
A		TIPPING RESTRAINT	1set



Cleaning instructions? Clean using soft cloth.

MADE IN VIET NAM




# ASSEMBLY INSTRUCTION


GROUP NO : 82650-1 WESTCEHSTER CHERRY

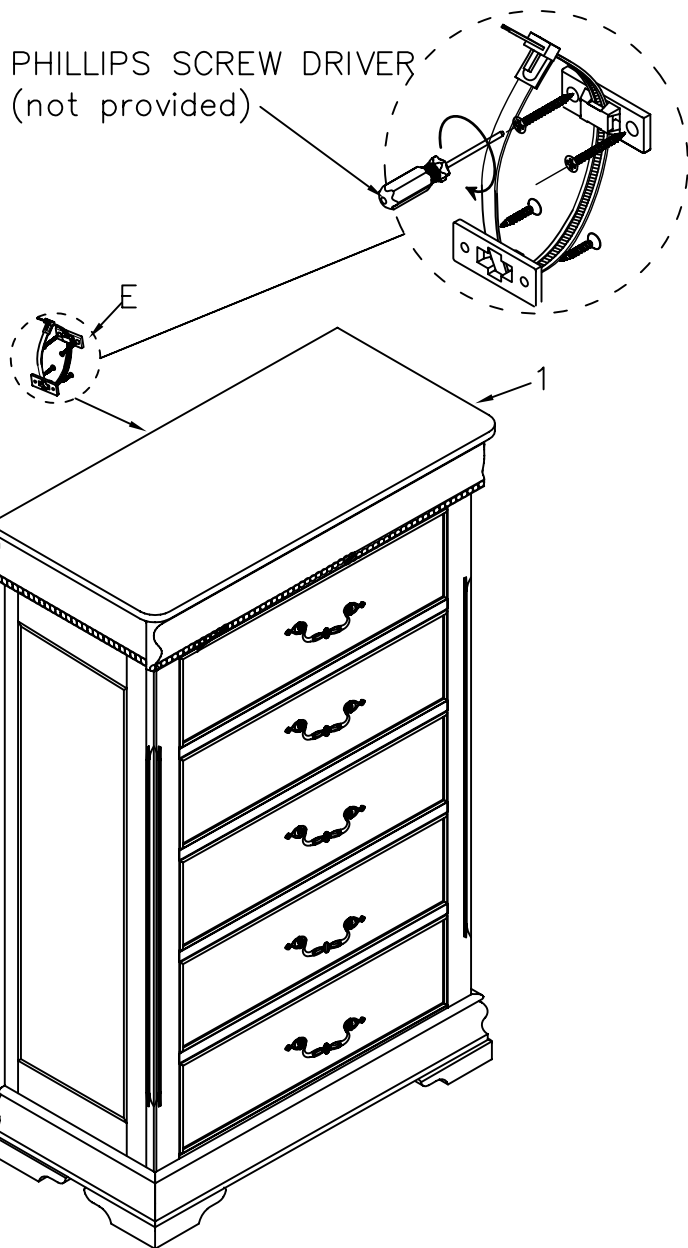
ITEM NO : 82665-1 LINGERIE ,CHEST

**Read instruction carefully prior for assembly.**

Thank you for purchasing this quality product. Check carefully for small parts which may have come loose during shipment. Remove all components from pack and place on soft surface to prevent scratching the finish during assembly. Identify and count all parts as specified below.

Item	Description		Qty.
	Item name	Picture	
1	Lingerie ,Chest		1

HARDWARE LIST			
A		TIPPING RESTRAINT	1set



Cleaning instructions? Clean using soft cloth.

MADE IN VIET NAM



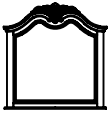


# ASSEMBLY INSTRUCTION





GROUP NO : 82650-1 WESTCEHSTER CHERRY

ITEM NO : 82658-1 MIRROR AND 82659-1 DRESSER

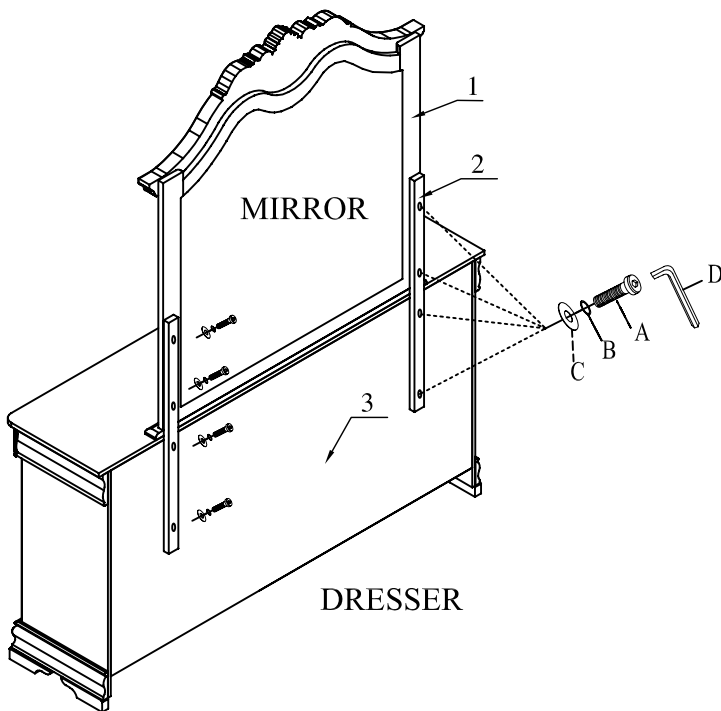
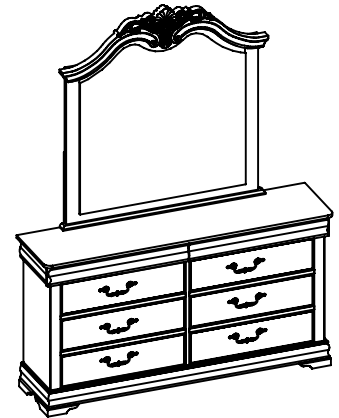
**Read instruction carefully prior for assembly.**

Thank you for purchasing this quality product. Check carefully for small parts which may have come loose during shipment. Remove all components from pack and place on soft surface to prevent scratching the finish during assembly. Identify and count all parts as specified below.

Item	Description		Qty
	Item name	Pictures	
1	Mirror		1
2	Mirror support		2
3	Dresser		1

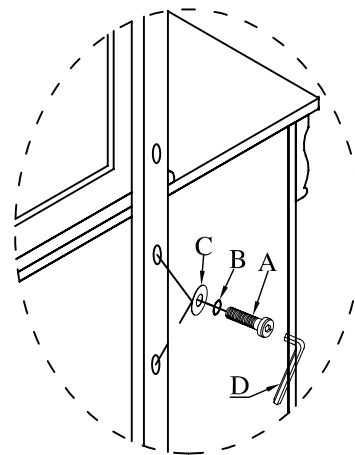
Hardware list				
A		1/4"x32mm	Allen Bolt	8
B		5/16"	Lock Washer	8
C		5/16"x22mm	Flat Washer	8
D		4mm	Allen Key	1

- Attached Mirror Support to Dresser using Flat Washer (C). Lock washer (B), Allen Bolt (A) and Allen Key (D). (Align holes in Mirror Support with pre-drilled dresser.)
- Carefully place Mirror on top of Dresser and attach to Mirror support using Flat Washer (C). Lock Washer (B), Allen Bolt (A) and Allen Key (D).

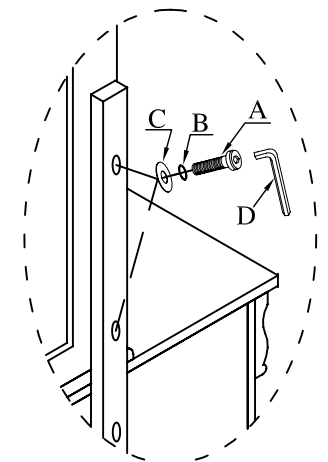


TOOLS REQUIRED: ALLEN KEY(included).

Step 1



Step 2



Cleaning instructions? Clean using soft cloth.

**MADE IN VIET NAM**



# ASSEMBLY INSTRUCTION

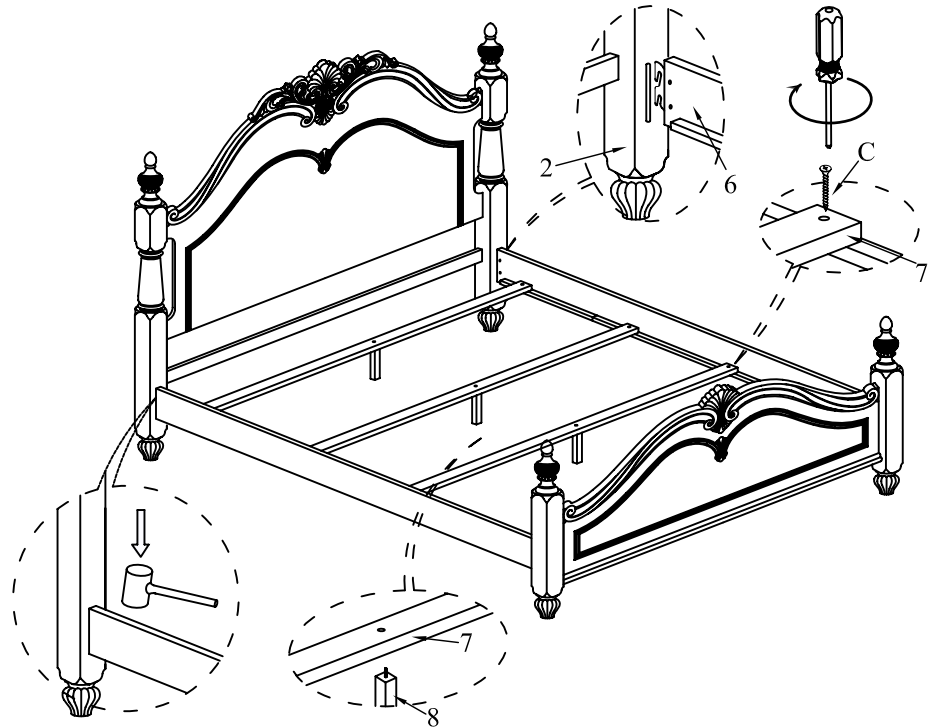
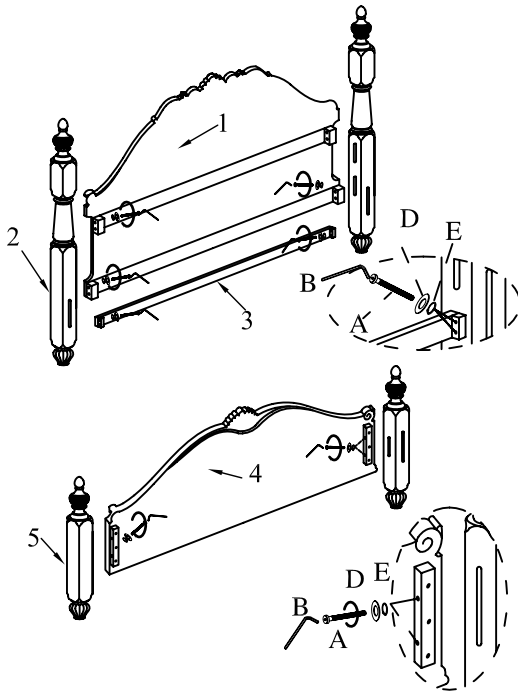
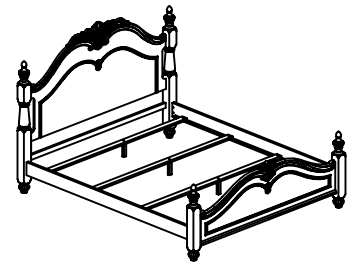
GROUP NO : 82650-1 WESTCEHSTER CHERRY

ITEM NO : 82651-1 HB,5/0 POSTER BED,  
82652-1 RAILS,5/0--6/6 POSTER BED,  
82653-1 FB,5/0 POSTER BED W/SLATS

**Read instruction carefully prior for assembly.**

Thank you for purchasing this quality product. Check carefully for small parts which may have come loose during shipment. Remove all components from pack and place on soft surface to prevent scratching the finish during assembly. Identify and count all parts as specified below.

Item	Description	Qty	Item	Description	ty
				Pictures	
1	Headboard	1	6	Bed Side Rails	2
2	H/B Post	2	7	Bed Slats	3
3	Cross Bar Support	1			
4	Footboard	1	8	Slats Support legs	3
5	F/B post	2			



Hardware list				
A		5/16"x45mm	Allen Bolt	14
B		4mm	Allen Key	2
C		M4x30mm	Screw	6
D		5/16"	Lock Washer	14
E		5/16"x19mm	Fat Washer	14

**Tool required : Open end wrench and allen key (Included). Philips crew drive (Not included)**

- (A). Attached 2 pcs HB post (2) to the headboard (1) Cross Bar Support (3) using 10 pcs Allen Bolt (A), 10 pcs Lock washer (D), 10 pcs Flat Washer (E) and Allen Key (B)
- (B). Attached 2 pcs FB post(5) to the FB (4) using PCS Allen Bolt (A) 4 pcs Lock washer (D), 4pcs Flat Washer (E) and Allen Key (B)
- (C). Assemble rails(6) to headboard and Footboard
- (D). Attach support legs (8) tho the slat (7)
- (E). Screw slats(7) in place

Cleaning instructions? Clean using soft cloth.

MADE IN VIET NAM



# ASSEMBLY INSTRUCTION

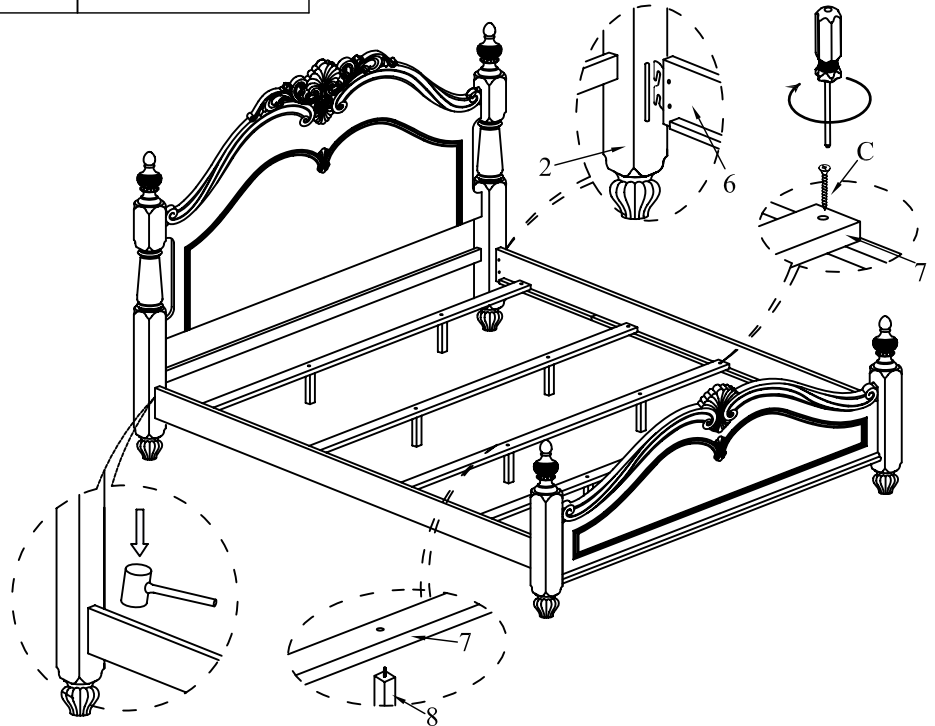
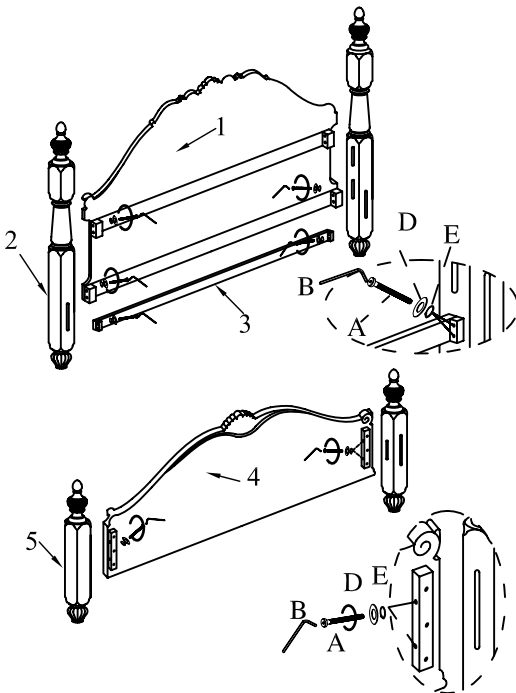
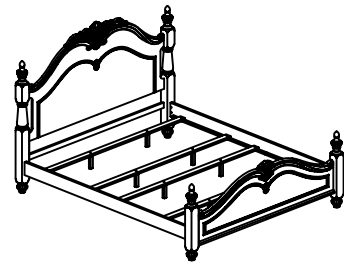
GROUP NO : 82650-1 WESTCEHSTER CHERRY

ITEM NO : 82661-1 HB,6/0-6/6 POSTER BED,  
82664-1 RAILS,6/0 POSTER BED WITH 6/0 SLATS,  
82663-1 FB,6/0-6/6 POSTER BED WITH 6/6  
SLATS

**Read instruction carefully prior for assembly.**

Thank you for purchasing this quality product. Check carefully for small parts which may have come loose during shipment. Remove all components from pack and place on soft surface to prevent scratching the finish during assembly. Identify and count all parts as specified below.

Item	Description	Qty	Item	Description	Qty
	Pictures				
1	Headboard	1	6	Bed Side Rails	2
2	H/B Post	2	7	Bed Slats	6/0
3	Cross Bar Support	1			6/6
4	Footboard	1	8	Slats Support Legs	6/0
5	F/B Post	2			6/6



Hardware list				
A		5/16"x45mm	Allen Bolt	14
B		4mm	Allen Key	2
C		M4x30mm	Screw	6/0-6/6 8
D		5/16"	Lock Washer	14
E		5/16"x19mm	Flat Washer	14

**Tool required : Open end wrench and allen key (Included). Philips crew drive (Not included)**

- (A). Attached 2 pcs HB post (2) to the headboard (1) Cross Bar Support (3) using 10 pcs Allen Bolt (A), 10 pcs Lock washer (D), 10 pcs Flat Washer (E) and Allen Key (B)
- (B). Attached 2 pcs FB post(5) to the FB (4) using PCS Allen Bolt (A) 4 pcs Lock washer (D), 4pcs Flat Washer (E) and Allen Key (B)
- (C). Assemble rails(6) to headboard and Footboard
- (D). Attach support legs (8) tho the slat (7)
- (E). Screw slats(7) in place

Cleaning instructions? Clean using soft cloth.

MADE IN VIET NAM





**STANDARD**  
furniture

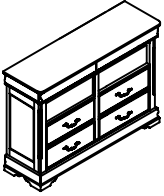
# ASSEMBLY INSTRUCTION


GROUP NO : 82650 WESTCEHSTER CHERRY

ITEM NO : 82696 TV,CHEST

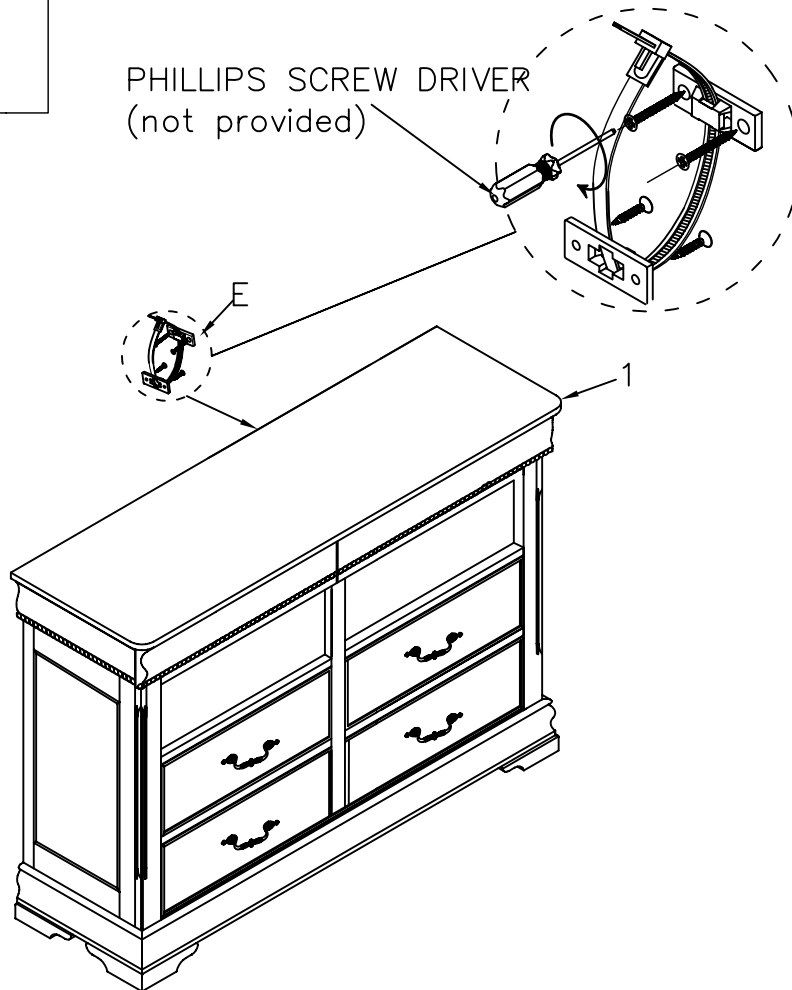
**Read instruction carefully prior for assembly.**

Thank you for purchasing this quality product. Check carefully for small parts which may have come loose during shipment. Remove all components from pack and place on soft surface to prevent scratching the finish during assembly. Identify and count all parts as specified below.

Item	Description		Qty
	Item name	Picture	
1	TV,Chest		1

HARDWARE LIST			
A		TIPPING RESTRAIN	1set

PHILLIPS SCREW DRIVER  
(not provided)



Cleaning instructions? Clean using soft cloth.

MADE IN VIET NAM



**STANDARD**  
furniture

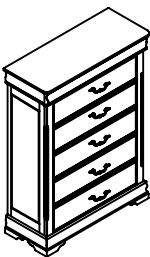
# ASSEMBLY INSTRUCTION


GROUP NO : 82650 WESTCEHSTER CHERRY

ITEM NO : 82655 DRAWER,CHEST

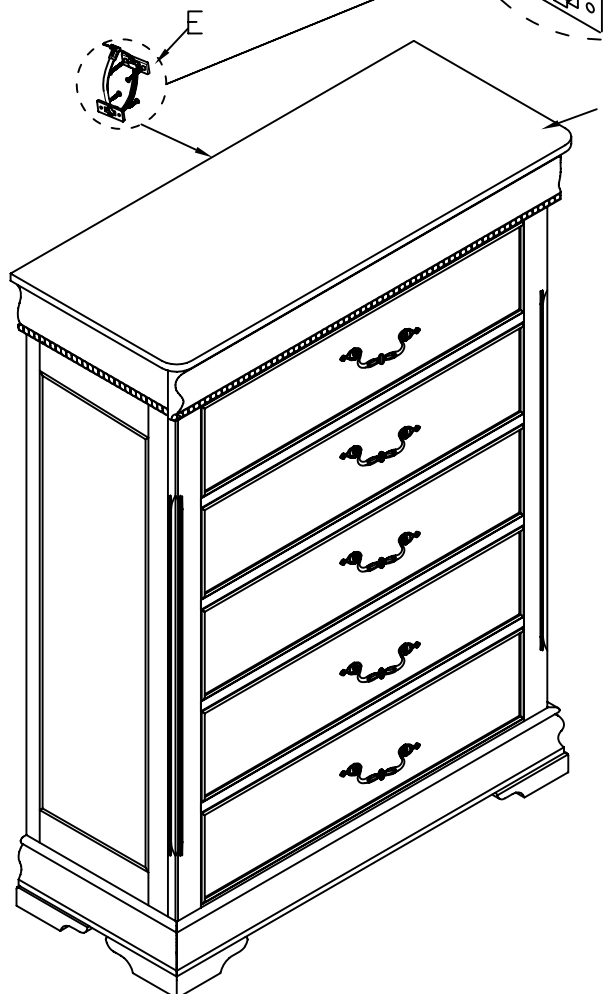
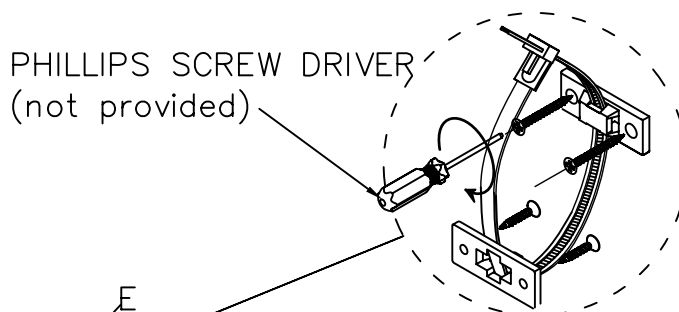
**Read instruction carefully prior for assembly.**

Thank you for purchasing this quality product. Check carefully for small parts which may have come loose during shipment. Remove all components from pack and place on soft surface to prevent scratching the finish during assembly. Identify and count all parts as specified below.

Item	Description		Qty.
	Item Name	Picture	
1	Drawer,Chest		1

HARDWARE LIST			
A		TIPPING RESTRAINT	1set

PHILLIPS SCREW DRIVER  
(not provided)



Cleaning instructions? Clean using soft cloth.

MADE IN VIET NAM





**STANDARD**  
furniture

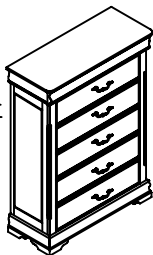
# ASSEMBLY INSTRUCTION


GROUP NO : 82650 WESTCEHSTER CHERRY

ITEM NO : 82665 LINGERIE ,CHEST

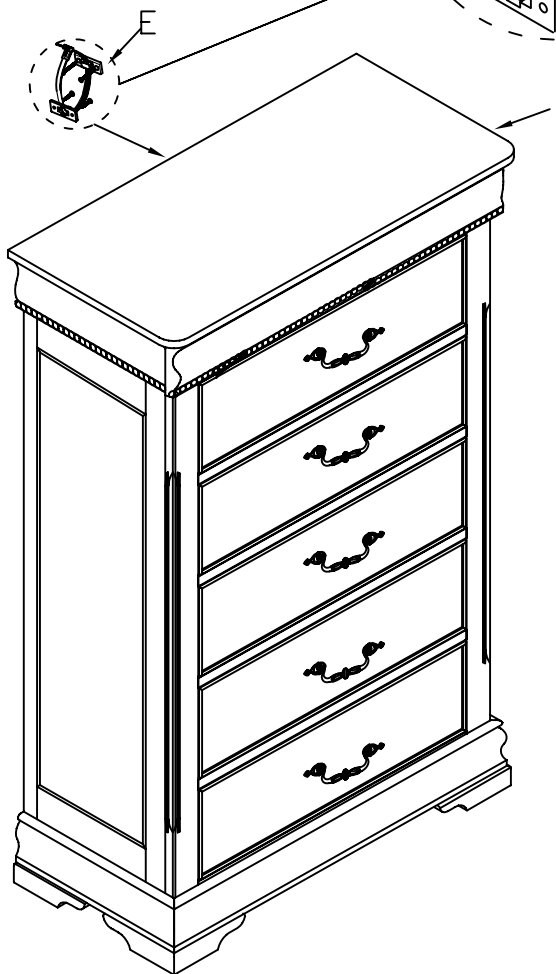
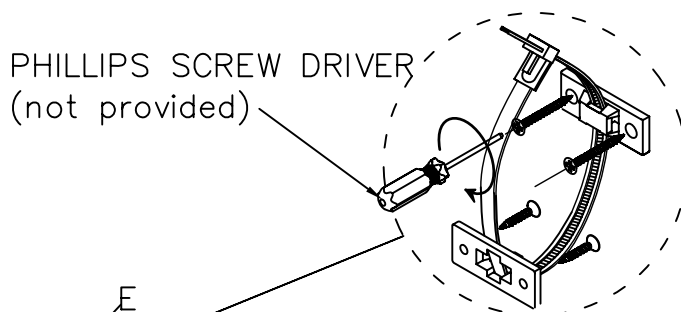
**Read instruction carefully prior for assembly.**

Thank you for purchasing this quality product. Check carefully for small parts which may have come loose during shipment. Remove all components from pack and place on soft surface to prevent scratching the finish during assembly. Identify and count all parts as specified below.

Item	Description		Qty.
	Item name	Picture	
1	Lingerie,Chest		1

HARDWARE LIST			
A		TIPPING RESTRAINT	1set

PHILLIPS SCREW DRIVER  
(not provided)



Cleaning instructions? Clean using soft cloth.

MADE IN VIET NAM



**STANDARD**  
furniture

# ASSEMBLY INSTRUCTION

GROUP NO : 82650 WESTCEHSTER CHERRY

ITEM NO : 82658 MIRROR AND 82659 DRESSER

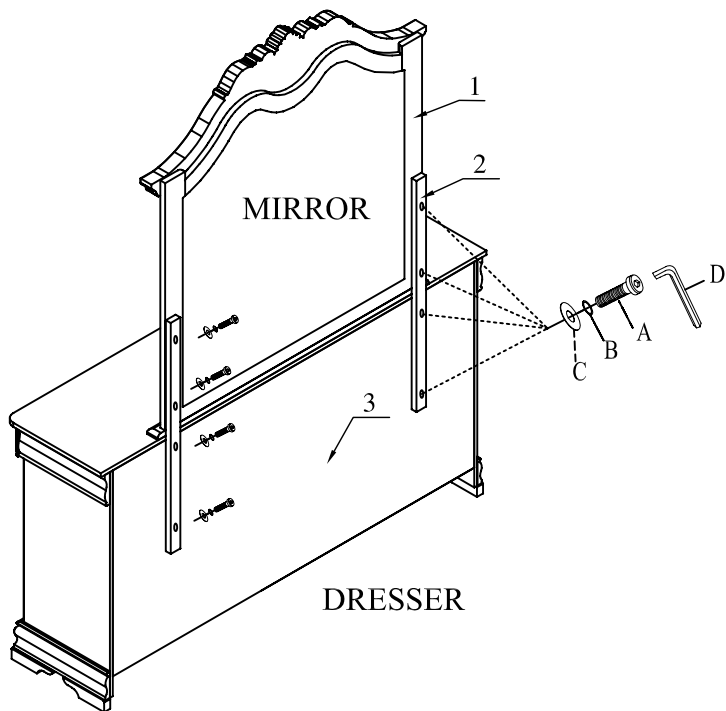
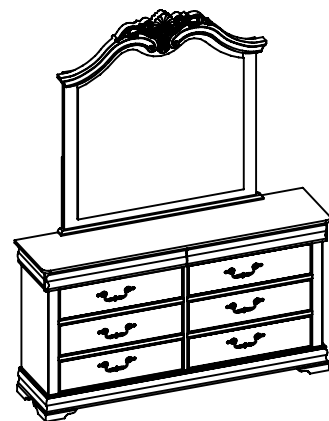
**Read instruction carefully prior for assembly.**

Thank you for purchasing this quality product. Check carefully for small parts which may have come loose during shipment. Remove all components from pack and place on soft surface to prevent scratching the finish during assembly. Identify and count all parts as specified below.

Item	Description		Qty
	Item name	Pictures	
1	Mirror		1
2	Mirror support		2
3	Dresser		1

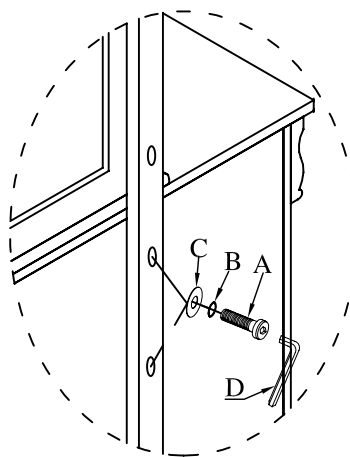
Hardware list				
A		1/4"x32mm	Allen Bolt	8
B		5/16"	Lock Washer	8
C		5/16"x22mm	Flat Washer	8
D		4mm	Allen Key	1

- (1). Attached Mirror Support to Dresser using Flat Washer (C). Lock washer (B), Allen Bolt (A) and Allen Key (D). (Align holes in Mirror Support with pre-drilled dresser.)
- (2). Carefully place Mirror on top of Dresser and attach to Mirror support using Flat Washer (C). Lock Washer (B), Allen Bolt (A) and Allen Key (D).

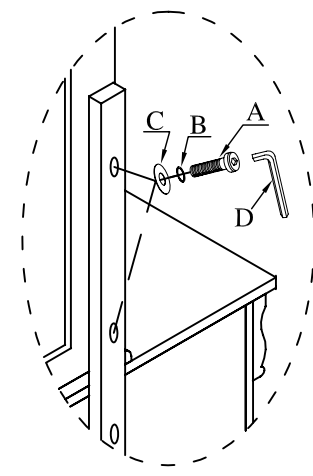


TOOLS REQUIRED: ALLEN KEY(included).

Step 1



Step 2



Cleaning instructions? Clean using soft cloth.

**MADE IN VIET NAM**



**STANDARD**  
furniture

# ASSEMBLY INSTRUCTION

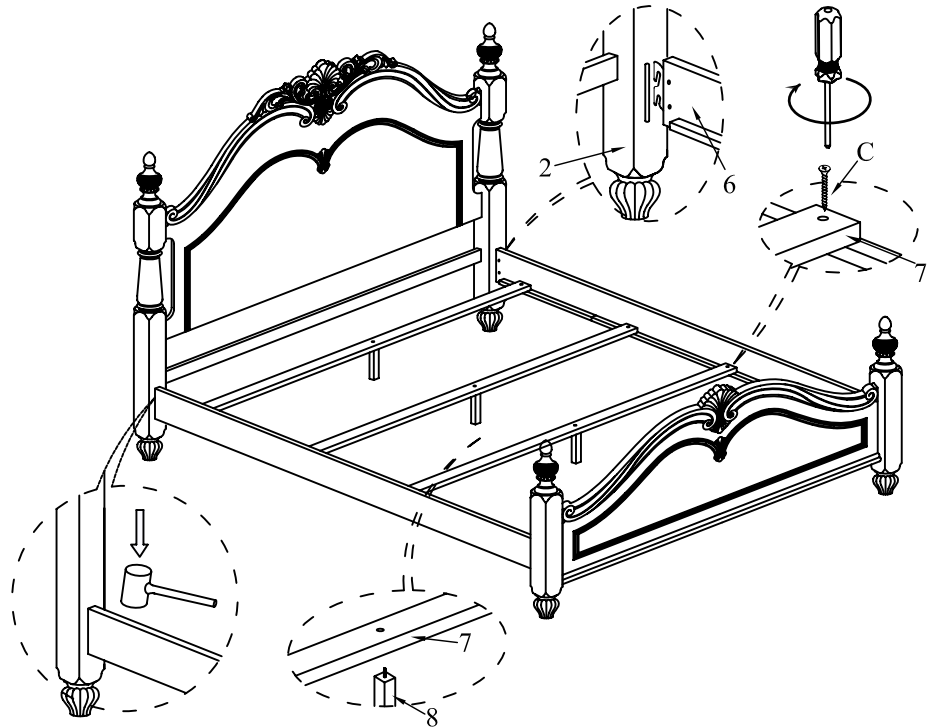
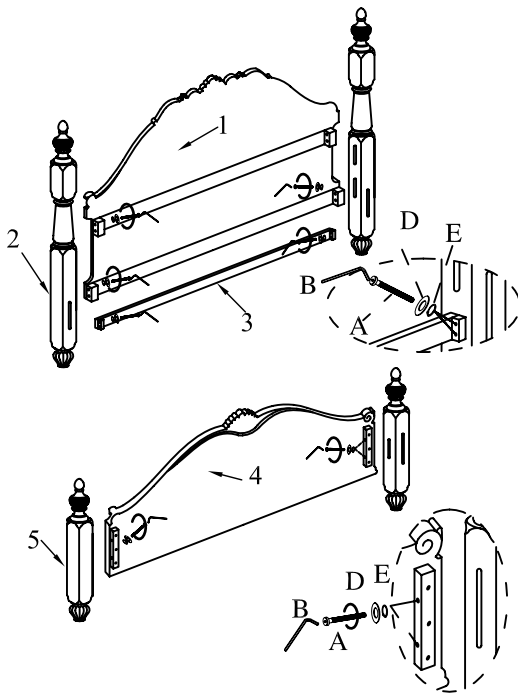
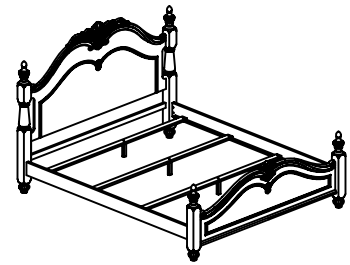
GROUP NO : 82650 WESTCEHSTER CHERRY

ITEM NO : 82651 HB,5/0 POSTER BED,  
82652 RAILS,5/0--6/6 POSTER BED,  
82653 FB,5/0 POSTER BED W/SLATS

**Read instruction carefully prior for assembly.**

Thank you for purchasing this quality product. Check carefully for small parts which may have come loose during shipment. Remove all components from pack and place on soft surface to prevent scratching the finish during assembly. Identify and count all parts as specified below.

Item	Description	Qty	Item	Description	ty
				Pictures	
1	Headboard	1	6	Bed Side Rails	2
2	H/B post	2	7	Bed Slats	3
3	Cross Bar Support	1			
4	Footboard	1	8	Slats Support legs	3
5	F/B post	2			



Hardware list				
A		5/16"x45mm	Allen Bolt	14
B		4mm	Allen Key	2
C		M4x30mm	Screw	6
D		5/16"	Lock Washer	14
E		5/16"x19mm	Fat Washer	14

**Tool required : Open end wrench and allen key (Included). Philips crew drive (Not included)**

- (A). Attached 2 pcs HB post (2) to the headboard (1) Cross Bar Support (3) using 10 pcs Allen Bolt (A), 10 pcs Lock washer (D) , 10 pcs Flat Washer (E) and Allen Key (B)
- (B). Attached 2 pcs FB post(5) to the FB (4) using PCS Allen Bolt (A) 4 pcs Lock washer (D) , 4pcs Flat Washer (E) and Allen Key (B)
- (C). Assemble rails(6) to headboard and Footboard
- (D). Attach support legs (8) tho the slat (7)
- (E). Screw slats(7) in place

Cleaning instructions? Clean using soft cloth.

MADE IN VIET NAM



**STANDARD**  
furniture

# ASSEMBLY INSTRUCTION

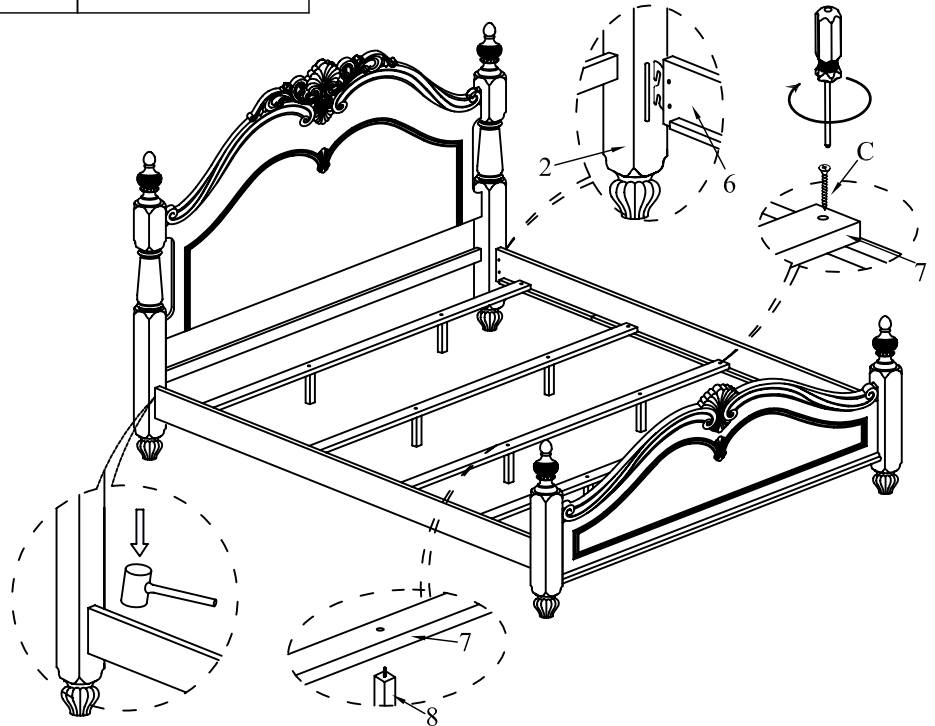
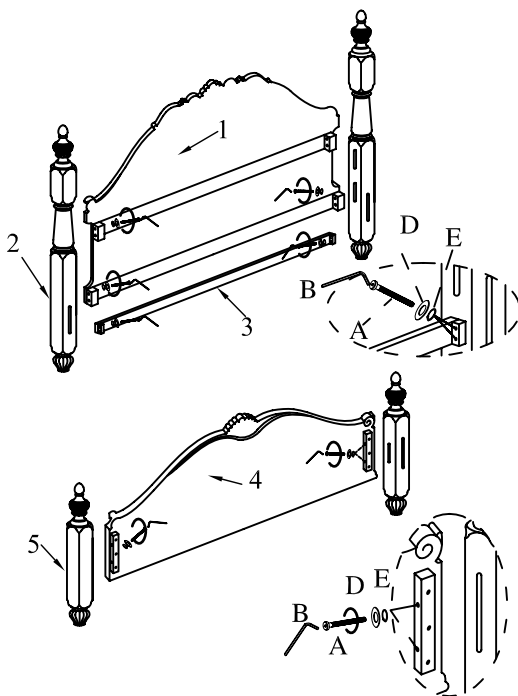
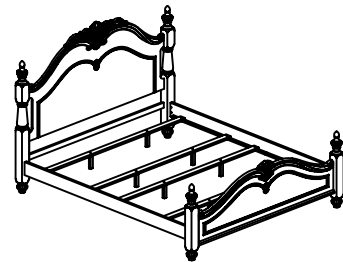
GROUP NO : 82650 WESTCEHSTER CHERRY

ITEM NO : 82661 HB,6/0-6/6 POSTER BED,  
82664 RAILS,6/0 POSTER BED WITH 6/0 SLATS,  
82663 FB,6/0-6/6 POSTER BED WITH 6/6 SLATS

**Read instruction carefully prior for assembly.**

Thank you for purchasing this quality product. Check carefully for small parts which may have come loose during shipment. Remove all components from pack and place on soft surface to prevent scratching the finish during assembly. Identify and count all parts as specified below.

Item	Description	Qty	Item	Description	Qty
	Picture				
1	Headboard	1	6	Bed Side Rails	2
2	H/B post	2	7	Bed Slats	6/0
3	Cross Bar Support	1			6/6
4	Footboard	1	8	Slats Support Legs	6/0
5	F/B Post	2			6/6



Hardware list				
A		5/16"x45mm	Allen Bolt	14
B		4mm	Allen Key	2
C		M4x30mm	Screw	6/0-6/6 8
D		5/16"	Lock Washer	14
E		5/16"x19mm	Flat Washer	14

**Tool required : Open end wrench and allen key (Included). Philips crew drive (Not included)**

- (A). Attached 2 pcs HB post (2) to the headboard (1) Cross Bar Support(3) using 10 pcs Allen Bolt (A), 10 pcs Lock washer (D) , 10 pcs Flat Washer (E) and Allen Key (B)
- (B). Attached 2 pcs FB post(5) to the FB (4) using PCS Allen Bolt (A) 4 pcs Lock washer (D) , 4pcs Flat Washer (E) and Allen Key (B)
- (C). Assemble rails(6) to headboard and Footboard
- (D). Attach support legs (8) tho the slat (7)
- (E). Screw slats(7) in place

Cleaning instructions? Clean using soft cloth.

MADE IN VIET NAM