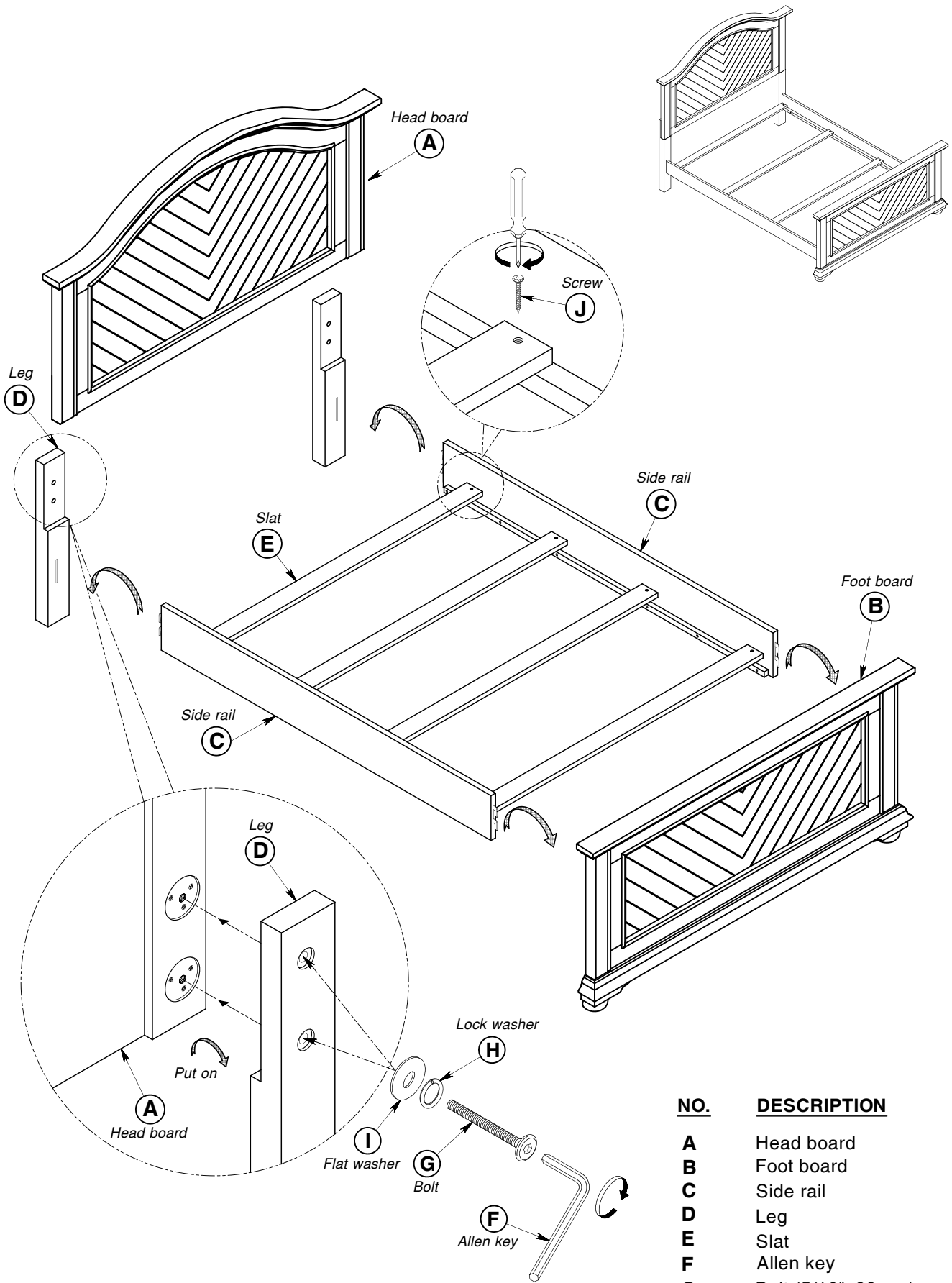


Elements

ASSEMBLY INSTRUCTIONS

**BP700THW/ TFW/ TRW
BP800THB/ TFB/ TRB
TWIN PANEL BED**

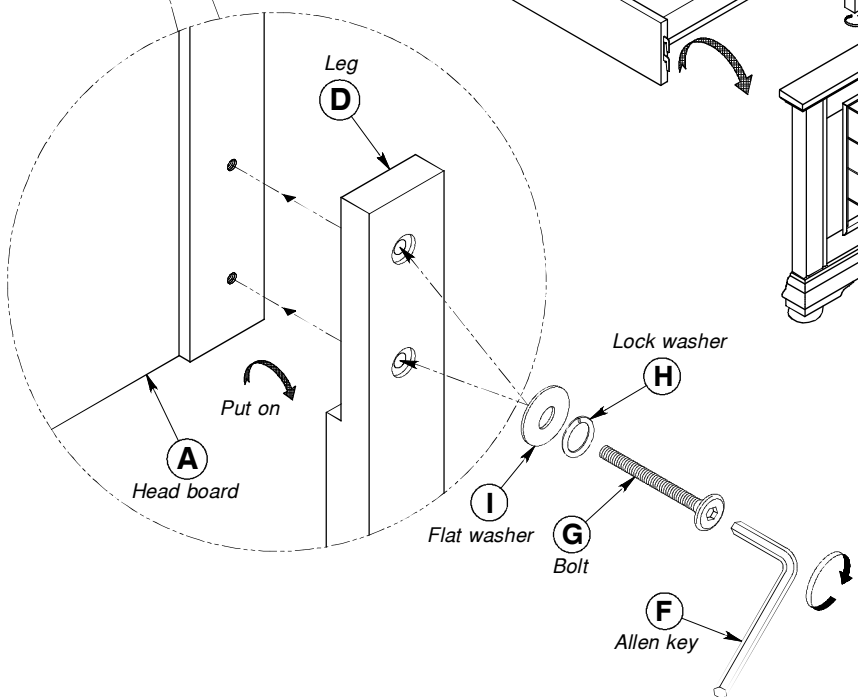
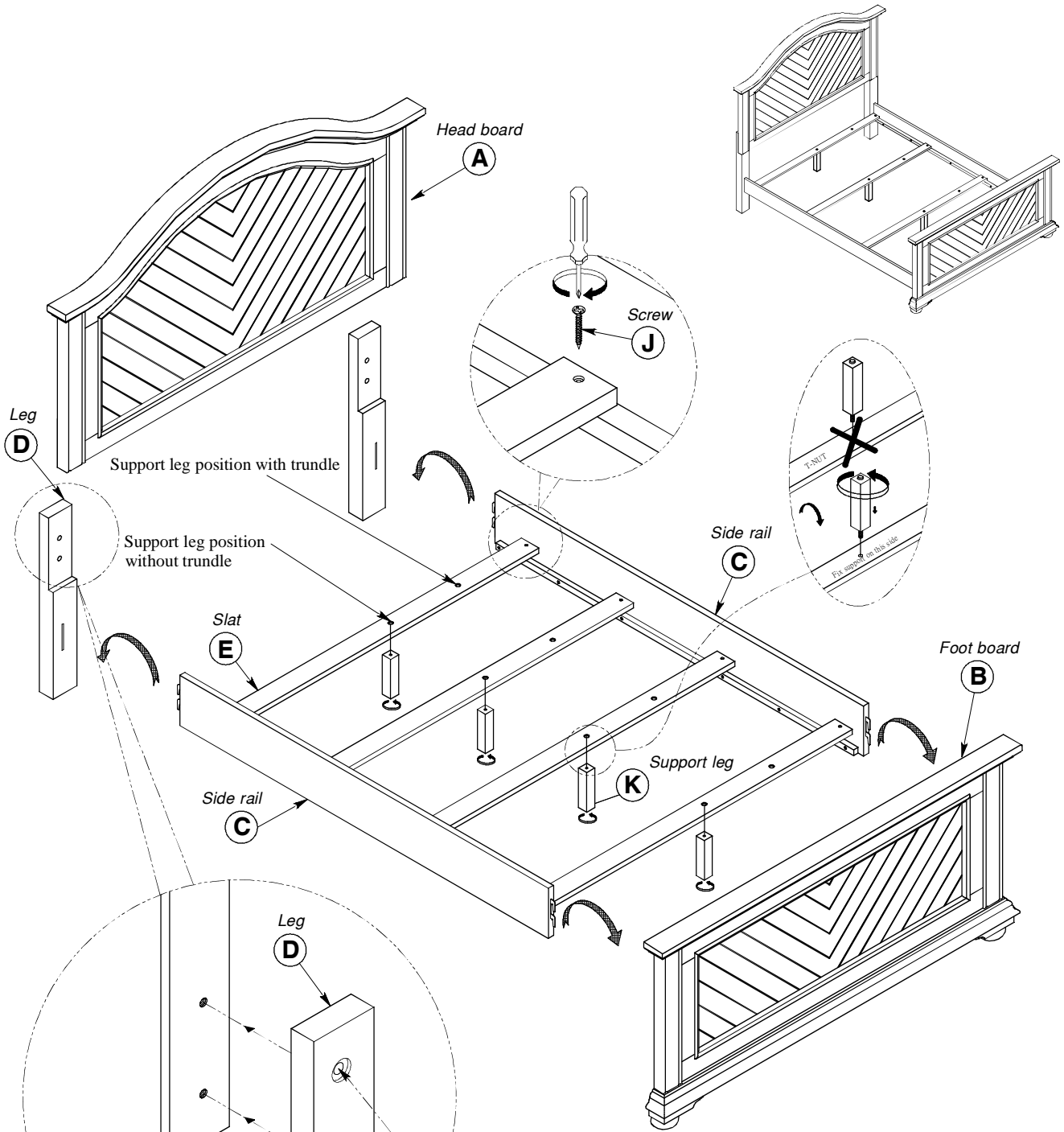


<u>NO.</u>	<u>DESCRIPTION</u>	<u>QTY.</u>
A	Head board	1
B	Foot board	1
C	Side rail	2
D	Leg	2
E	Slat	4
F	Allen key	1
G	Bolt (5/16"x38mm)	4
H	Lock washer (5/16")	4
I	Flat washer (5/16")	4
J	Screw (25mm)	8

Elements

ASSEMBLY INSTRUCTIONS

BP700FHW/FFW/FRW&BP800FHB/FFB/FRB
FULL PANEL BED

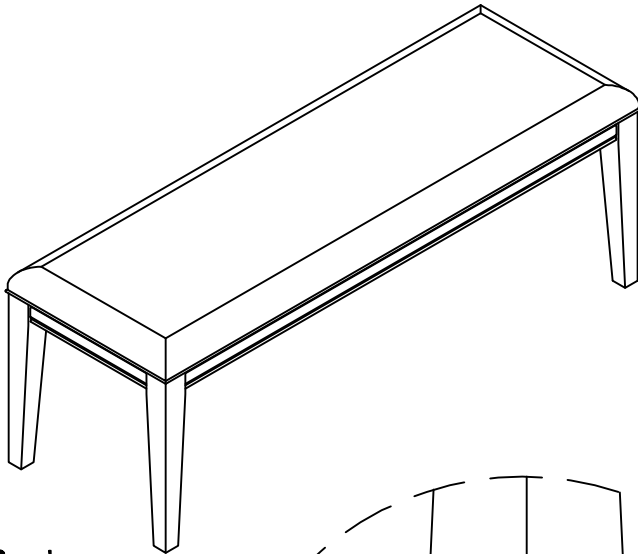


NO.	DESCRIPTION	QTY.
A	Head board	1
B	Foot board	1
C	Side rail	2
D	Leg	2
E	Slat	4
F	Allen key	1
G	Bolt (5/16"x38mm)	4
H	Lock washer (5/16")	4
I	Flat washer (5/16")	4
J	Screw (25mm)	8
K	Support leg	4

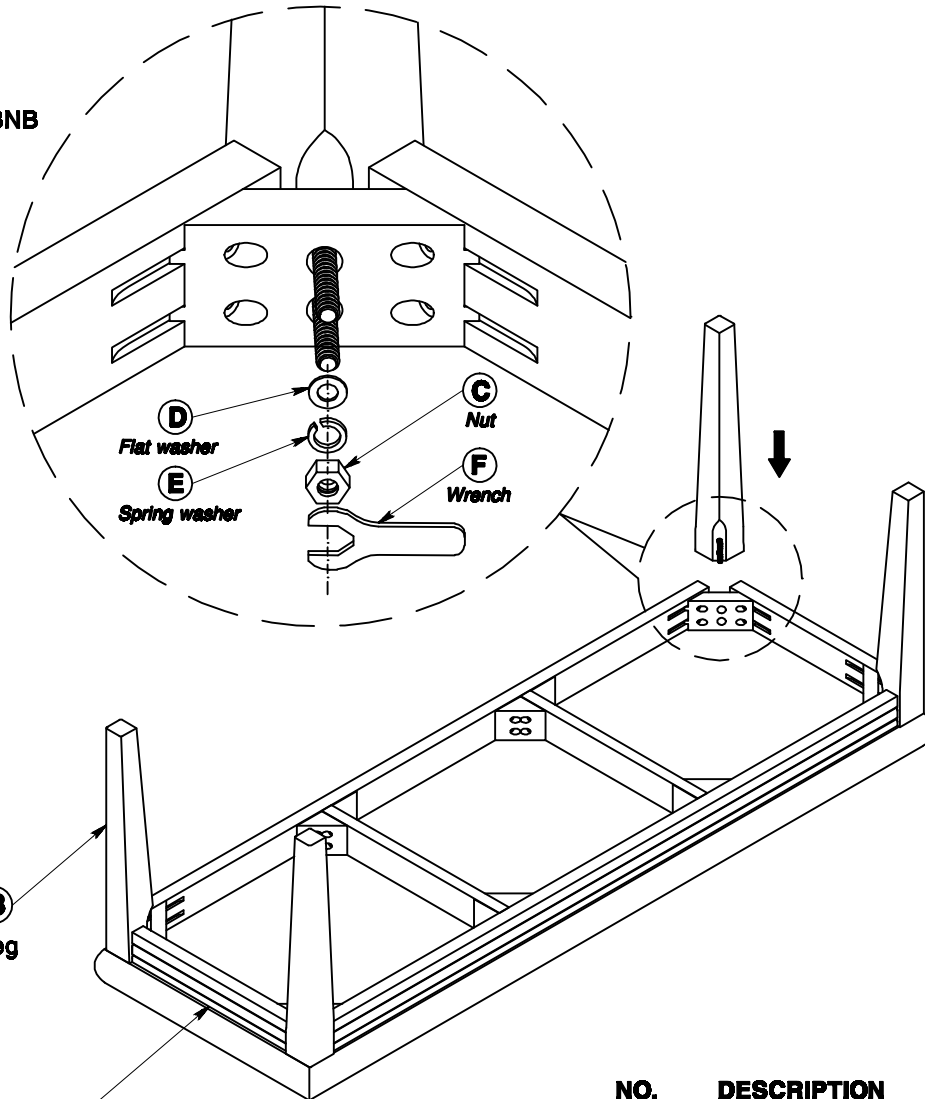
Elements

ASSEMBLY INSTRUCTIONS

BP700BNW&BP800BNB BENCH



* Bench
BP700BNW&BP800BNB

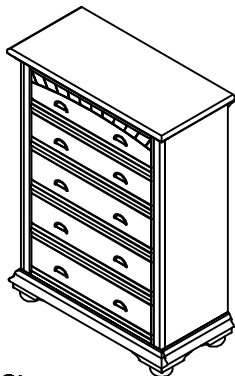


<u>NO.</u>	<u>DESCRIPTION</u>	<u>QTY.</u>
A	Bench	1
B	Leg	4
C	Nut	8
D	Flat Washer	8
E	Spring Washer	8
F	Wrench	1

Elements

ASSEMBLY INSTRUCTIONS

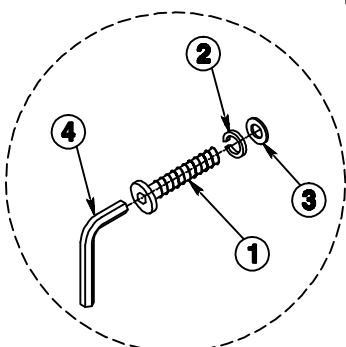
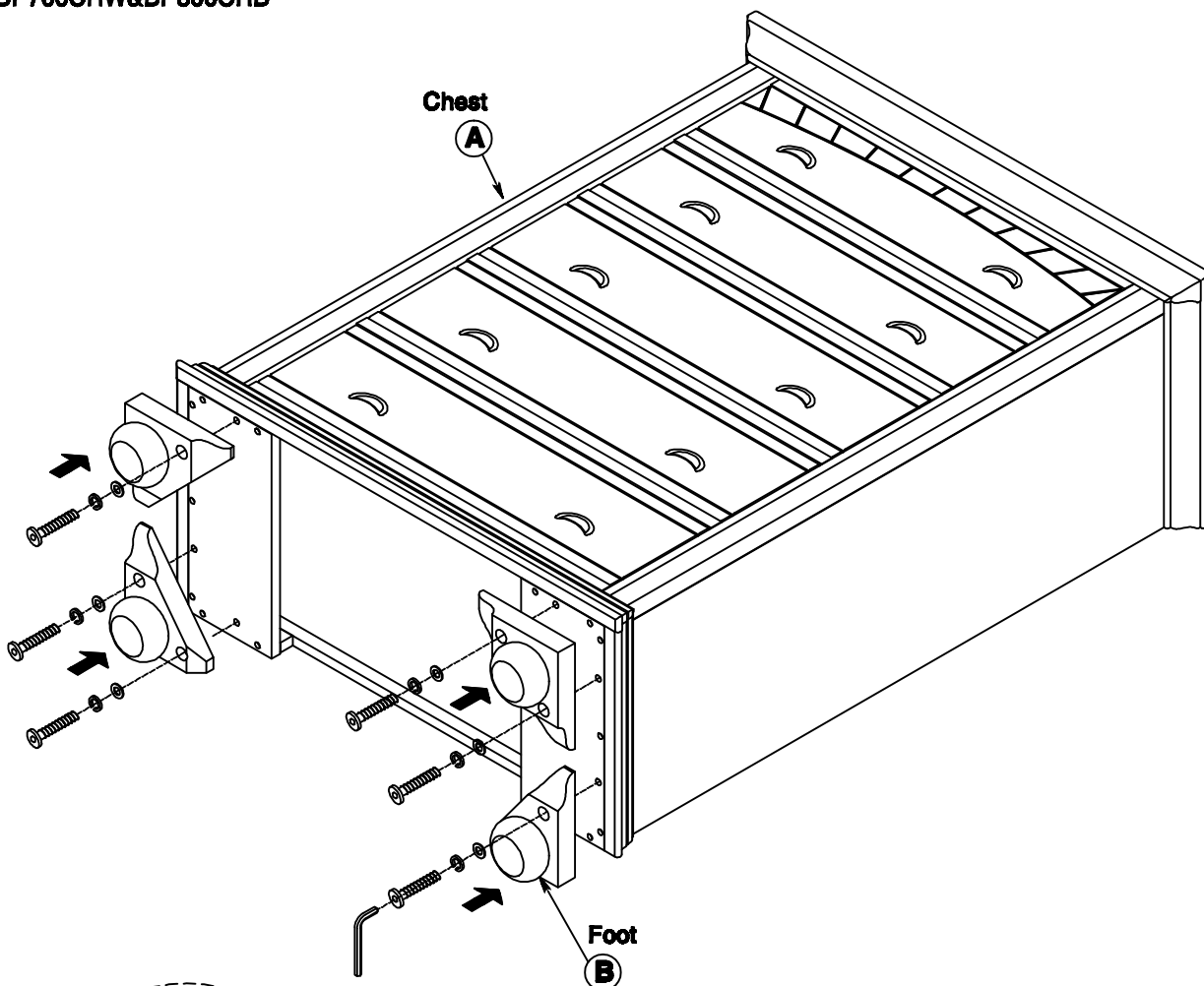
BP700CHW&BP800CHB CHEST



Remark : Please be noted that the * safety bracket set with instruction is attached at the back side of the back panel.

NO.	Hardware List		Q'TY
1		5/16" *1-1/2" JCBC Bolt	8
2		5/16" Spring Washer	8
3		5/16" Flat Washer	8
4		1/4" Allen Key	1

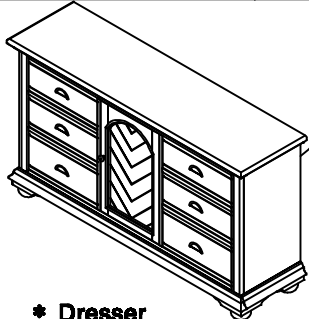
* Chest
BP700CHW&BP800CHB



NO.	DESCRIPTION	QTY.
A	Chest	1
B	Foot	4

Elements

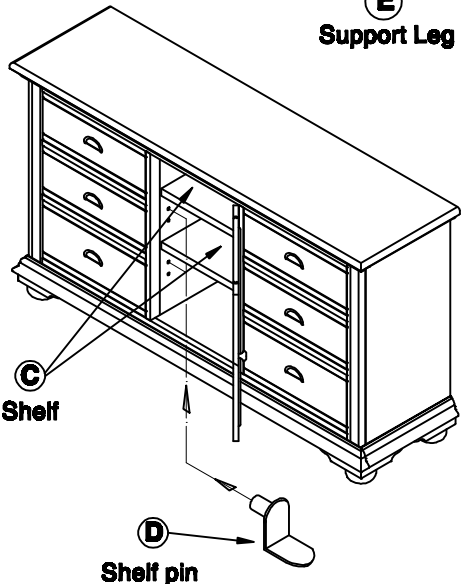
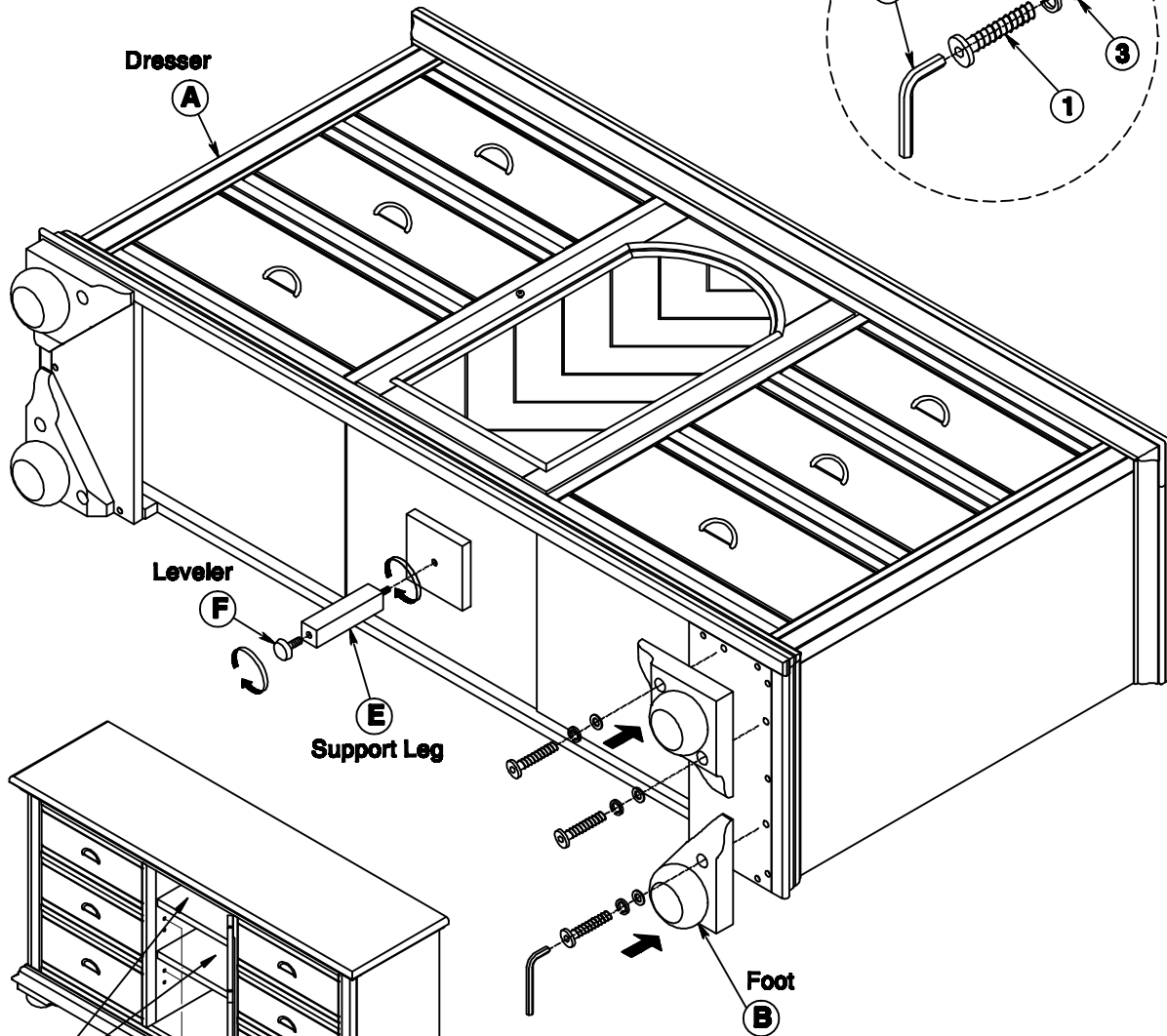
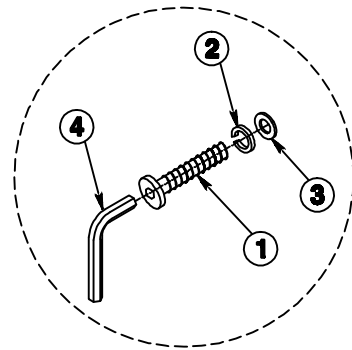
ASSEMBLY INSTRUCTIONS BP700DRW&BP800DRB DRESSER



* Dresser
BP700DRW&BP800DRB

Remark : Please be noted that the * safety bracket set with instruction is attached at the back side of the back panel.

NO.	Hardware List		Q'TY
1		5/16" *1-1/2" JCBC Bolt	8
2		5/16" Spring Washer	8
3		5/16" Flat Washer	8
4		1/4" Allen Key	1

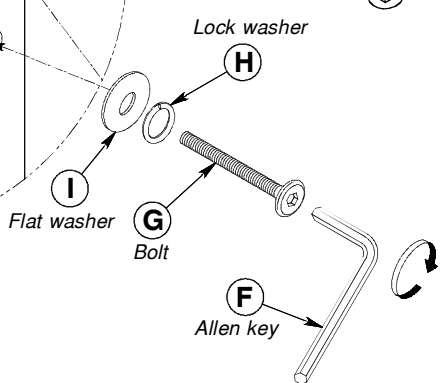
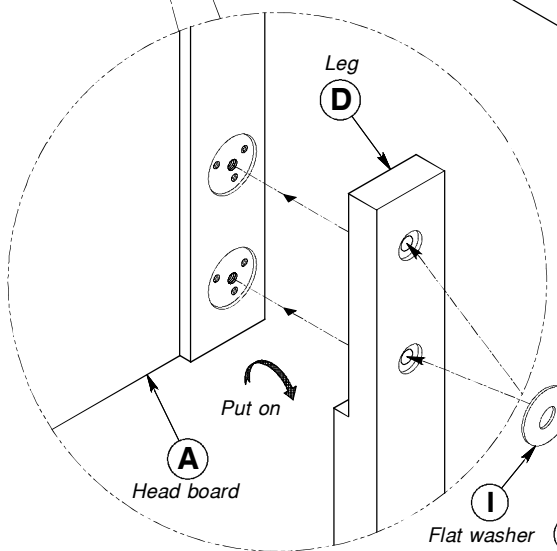
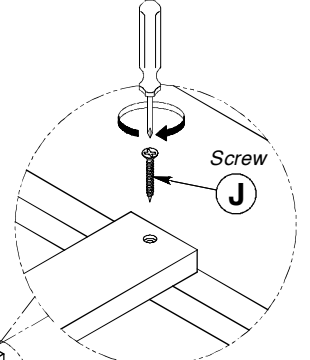
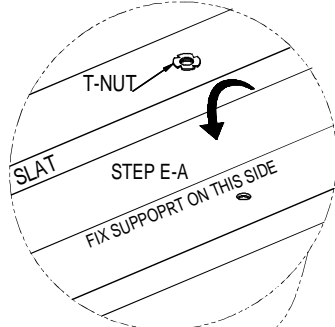
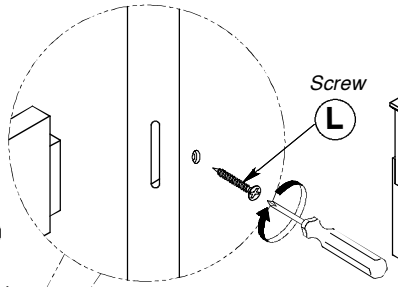
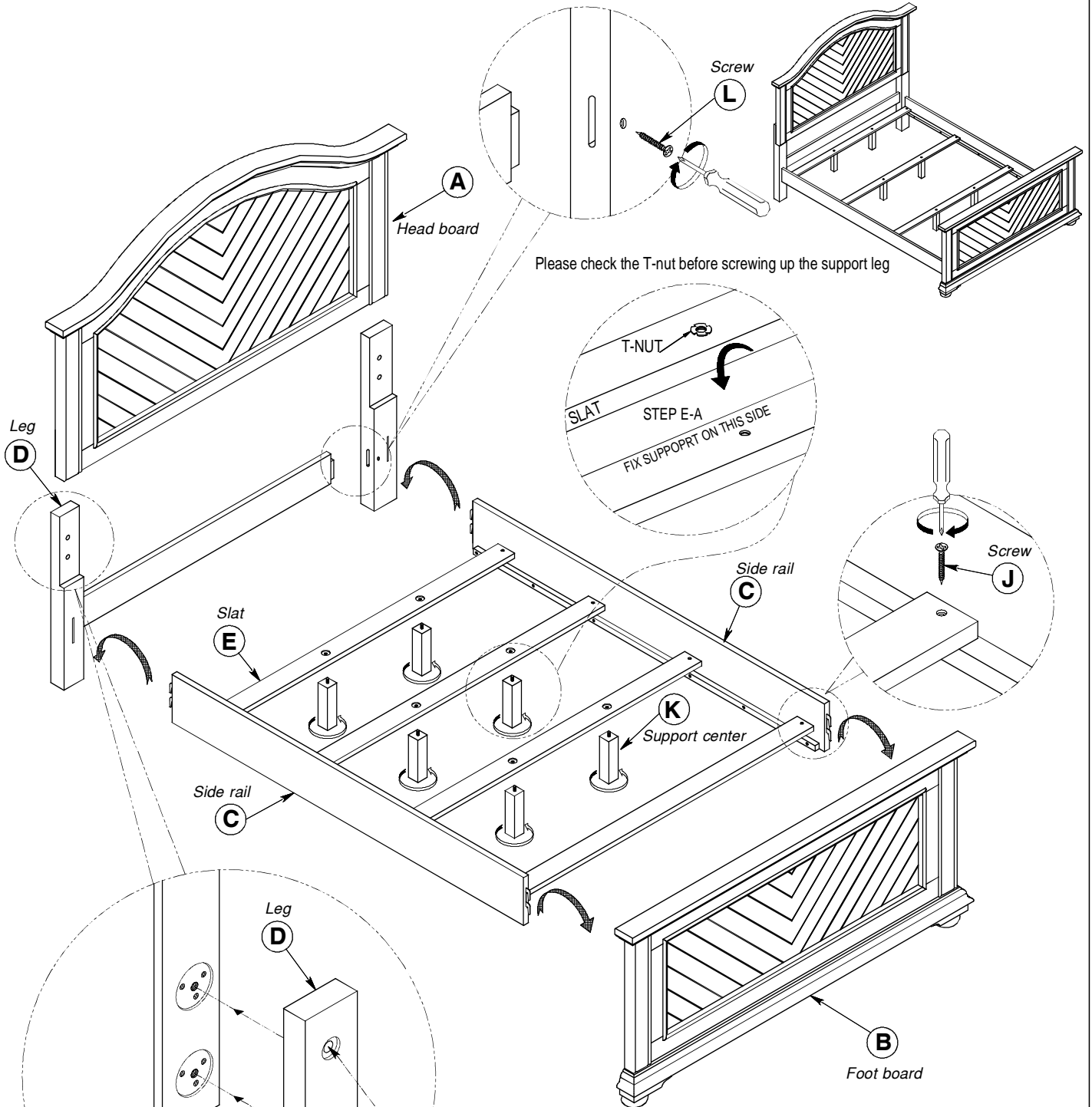


NO.	DESCRIPTION	QTY.
A	Dresser	1
B	Foot	4
C	Shelf	2
D	Shelf pin	8
E	Support Leg	1
F	Leveler	1

Elements

ASSEMBLY INSTRUCTIONS

BP700KHW/KFW/KRW&BP800KHB/KFB/KRB
BP700CKHW/CKFW/CKRW&BP800CKHB/CKFB/CKRB
KING PANEL BED&CAL-KING PANEL BED

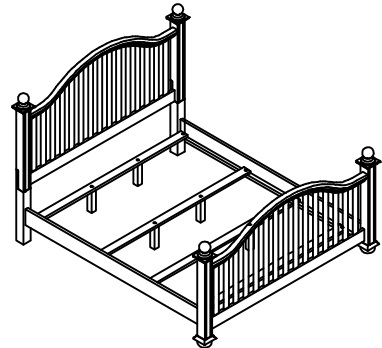


NO.	DESCRIPTION	QTY.
A	Head board	1
B	Foot board	1
C	Side rail	2
D	Leg	1
E	Slat	4
F	Allen key	1
G	Bolt (5/16"x38mm)	4
H	Lock washer (5/16")	4
I	Flat washer (5/16")	4
J	Screw (25mm)	8
K	Support center	6
L	Screw (32mm)	2

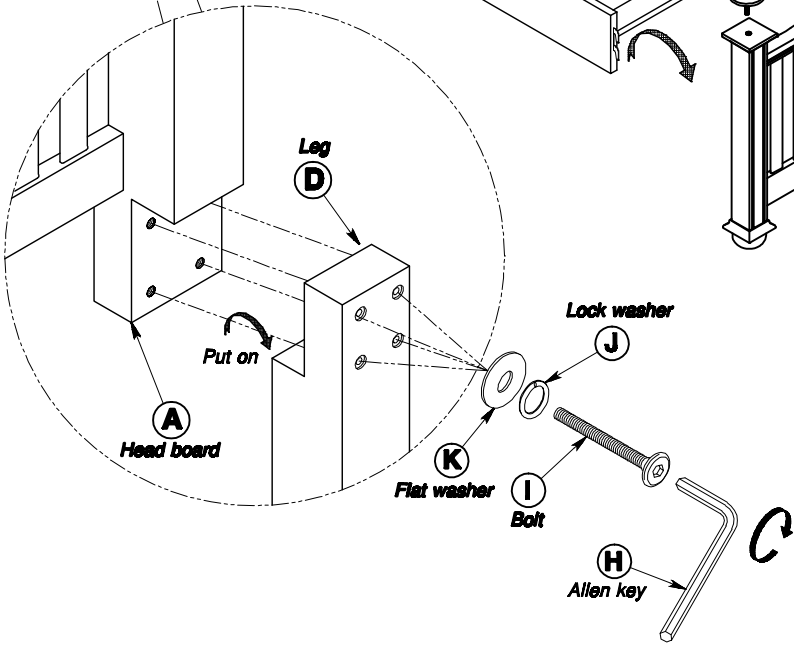
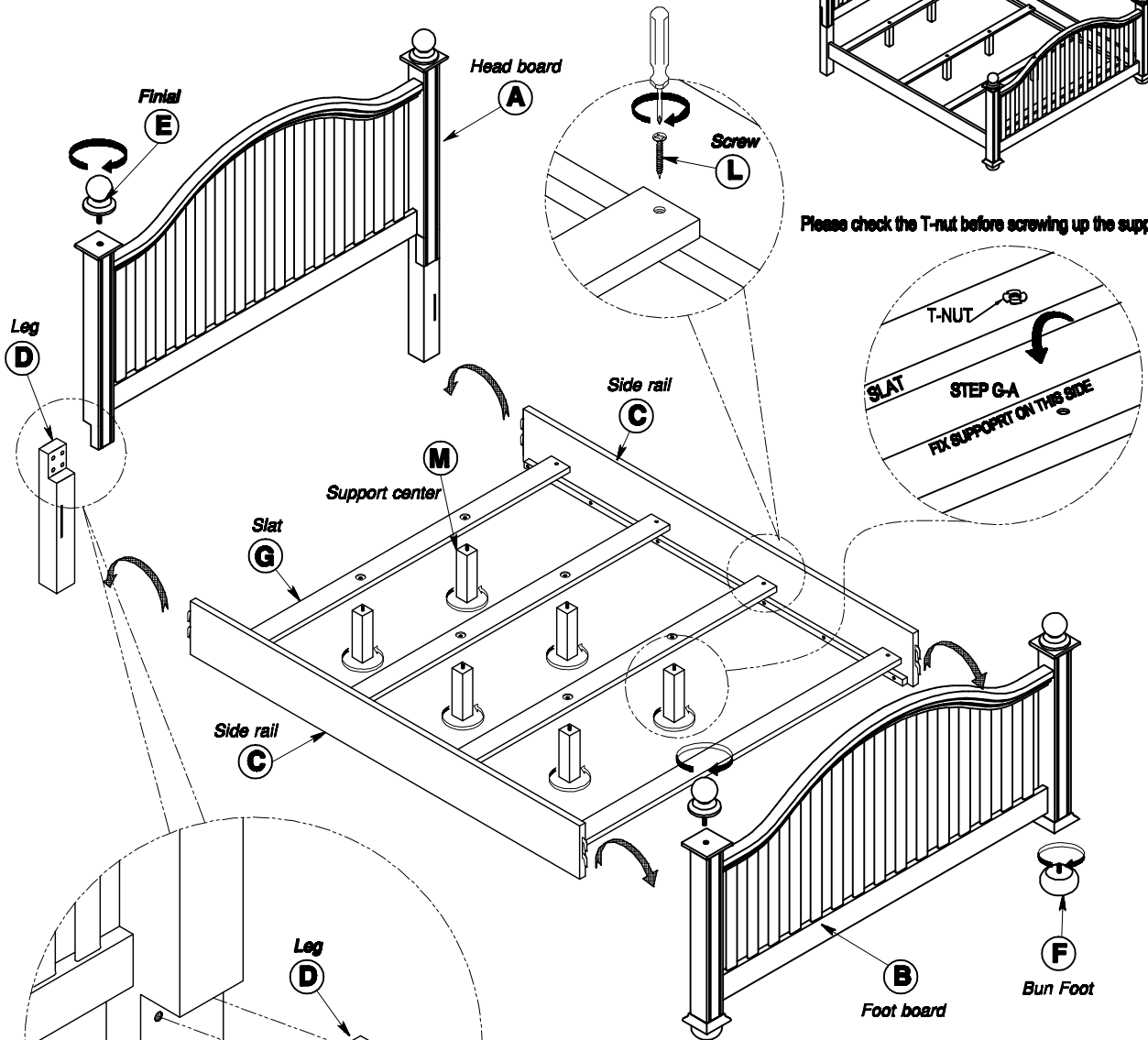
Elements

ASSEMBLY INSTRUCTIONS

BP755KHW/KFW/KRW & BP855KHB/KFB/KRB KING POST BED



Please check the T-nut before screwing up the support leg

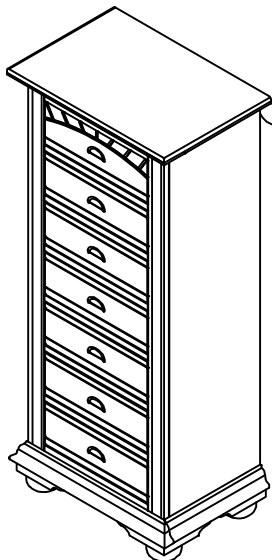


NO.	DESCRIPTION	QTY.
A	Head board	1
B	Foot board	1
C	Side rail	2
D	Leg	2
E	Finial	4
F	Bun Foot	2
G	Slat	4
H	Allen key	1
I	Bolt (5/16"x51mm)	8
J	Lock washer (5/16")	8
K	Flat washer (5/16")	8
L	Screw (25mm)	8
M	Support center	6



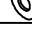
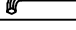
Elements

ASSEMBLY INSTRUCTIONS

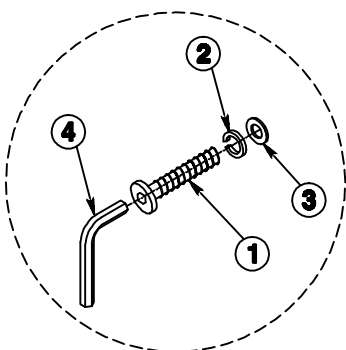
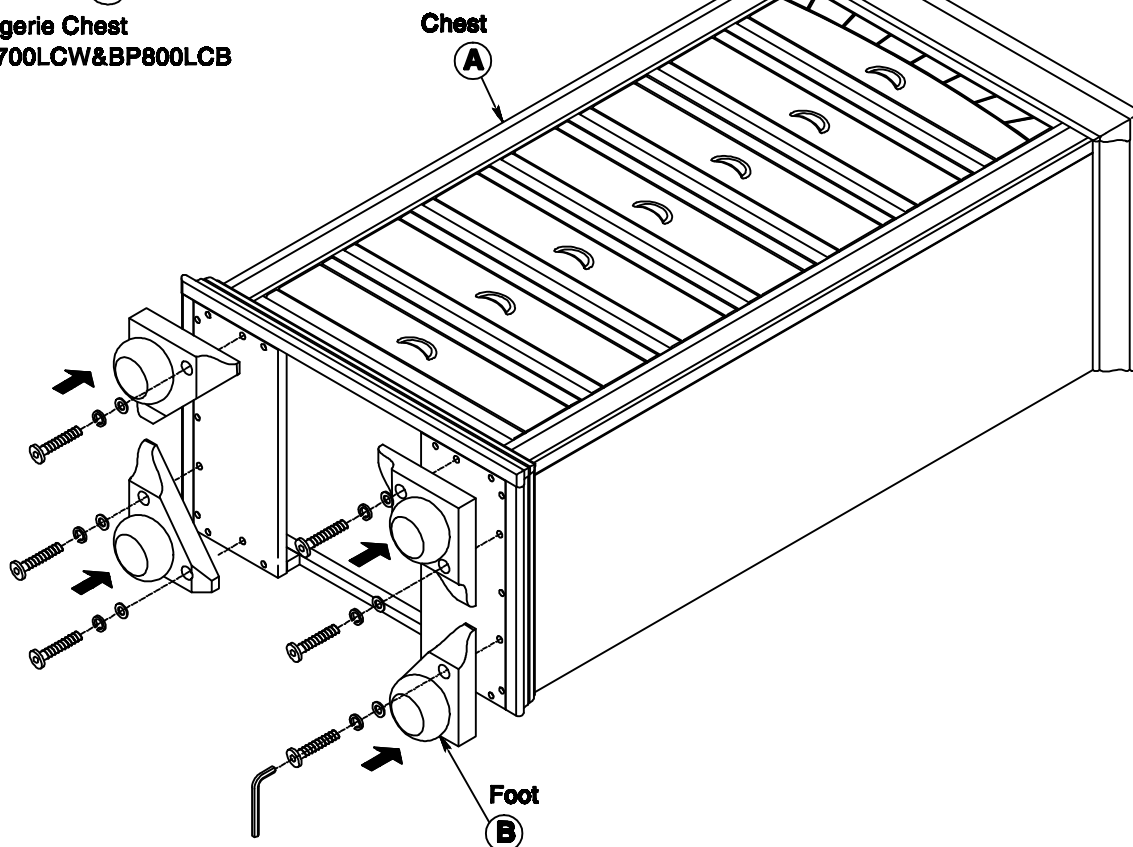
BP700LCW&BP800LCB LINGERIE CHEST



Remark : Please be noted that the * safety bracket set with instruction is attached at the back side of the back panel.

NO.	Hardware List		Q'TY
1		5/16" *1-1/2" JCBC Bolt	8
2		5/16" Spring Washer	8
3		5/16" Flat Washer	8
4		1/4" Allen Key	1

* Lingerie Chest
BP700LCW&BP800LCB

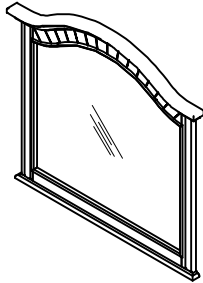


NO.	DESCRIPTION	QTY.
A	Chest	1
B	Foot	4

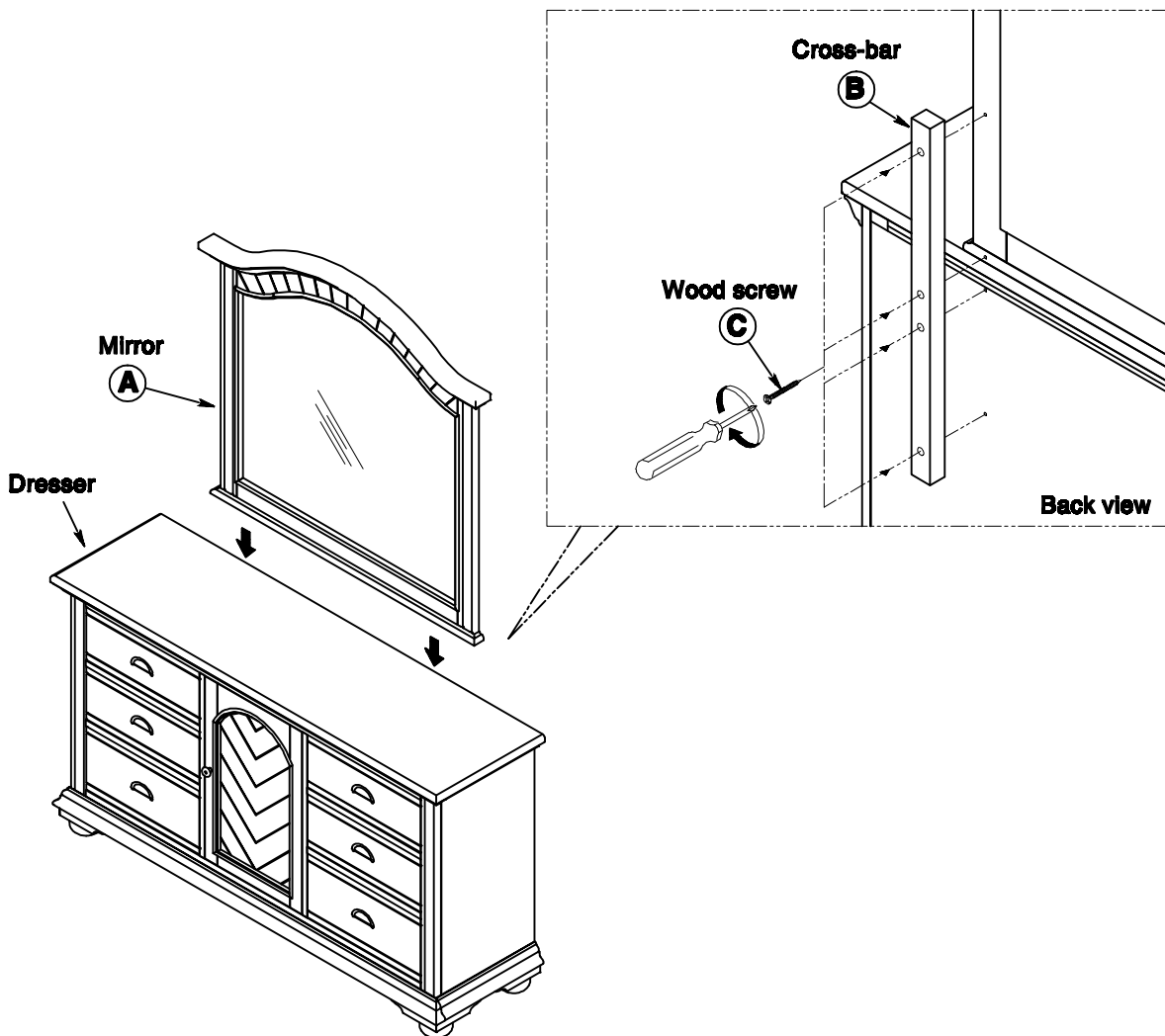
Elements

ASSEMBLY INSTRUCTIONS

BP700MRW&BP800MRB MIRROR



* Mirror
BP700MRW&BP800MRB

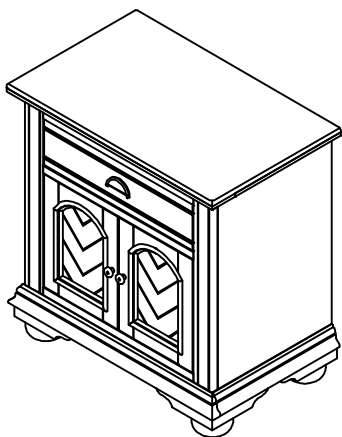


NO.	DESCRIPTION	QTY.
A	Mirror	1
B	Cross-bar	2
C	Wood screw (30mm)	8





Elements

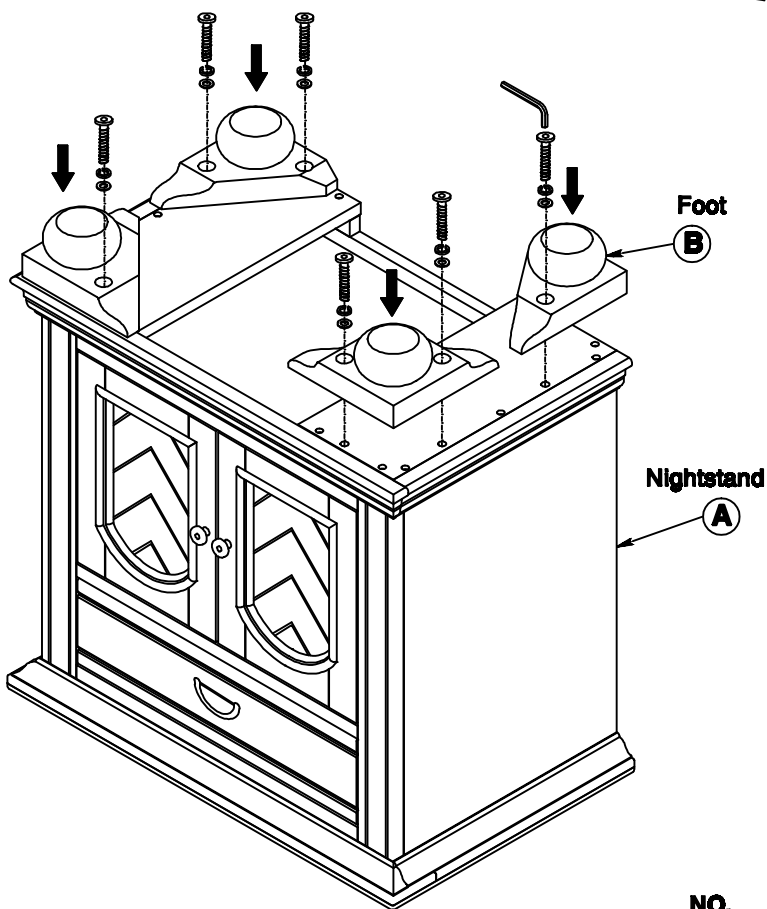
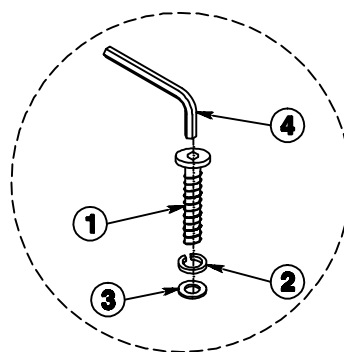
ASSEMBLY INSTRUCTIONS

BP700NSW&BP800NSB NIGHTSTAND



* Nightstand
BP700NSW&BP800NSB

NO.	Hardware List		Q'TY
1		5/16" *1-1/2" JCBC Bolt	8
2		5/16" Spring Washer	8
3		5/16" Flat Washer	8
4		1/4" Allen Key	1

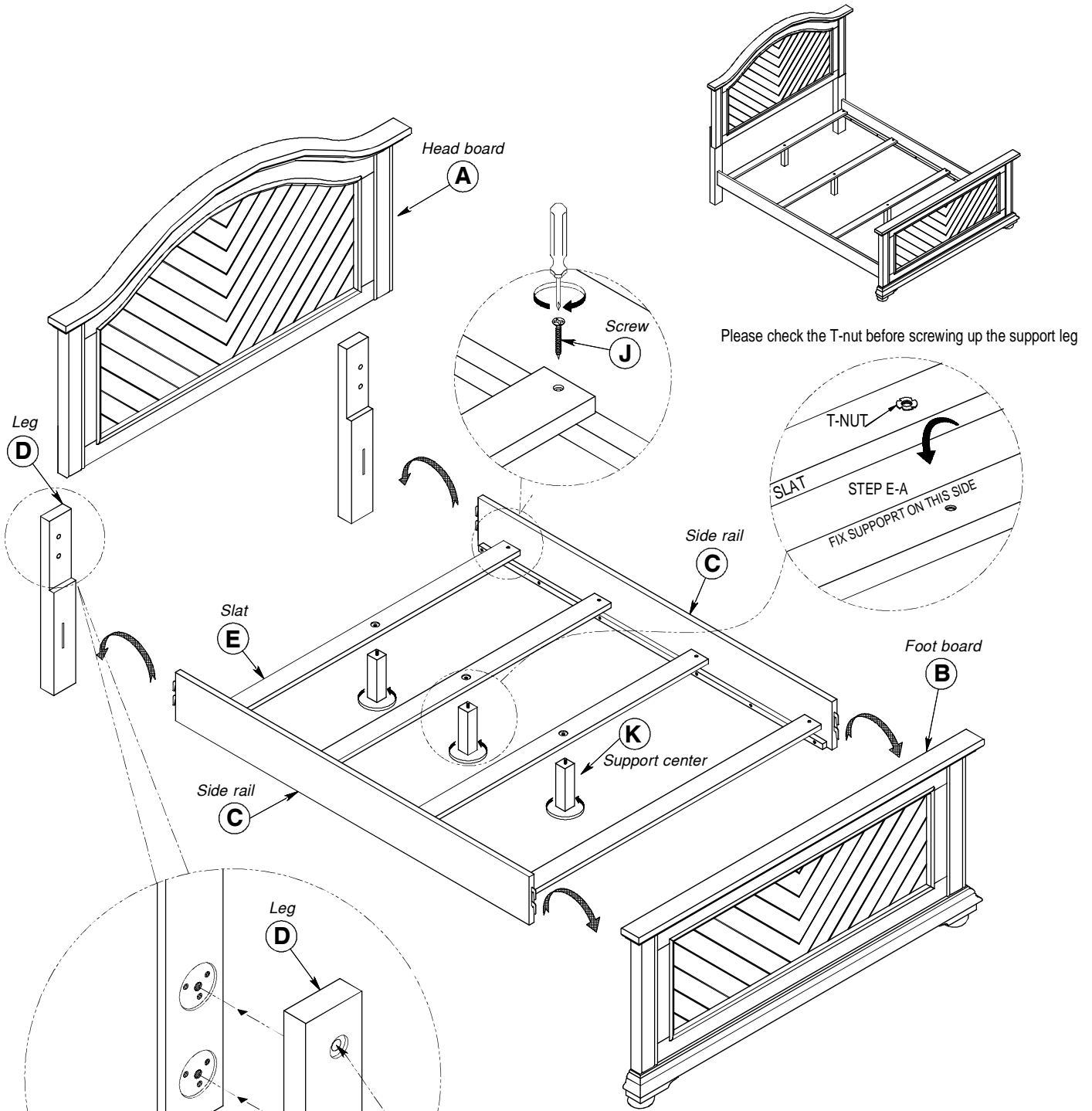


NO.	DESCRIPTION	QTY.
A	Nightstand	1
B	Foot	4

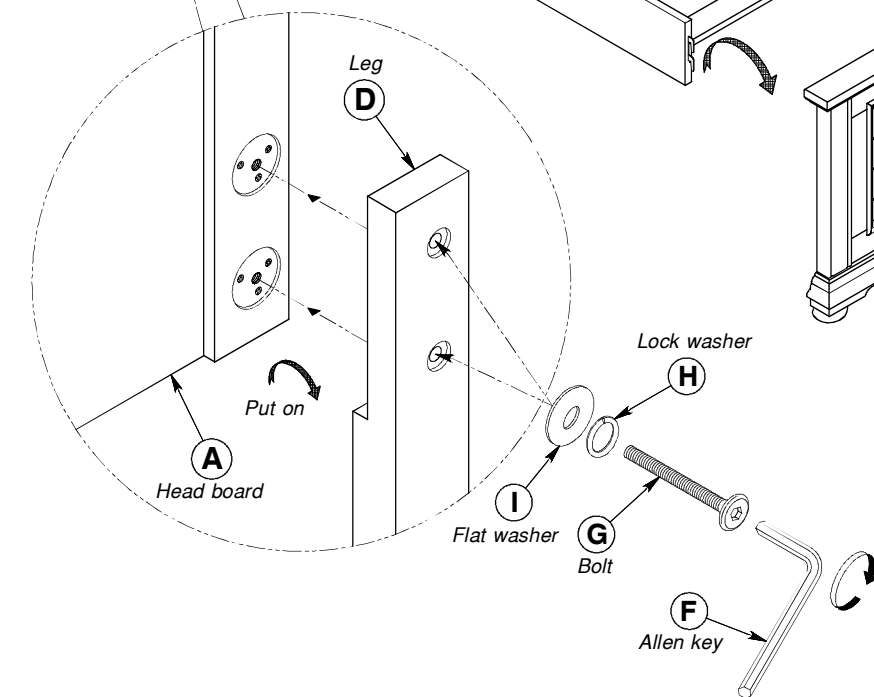
Elements

ASSEMBLY INSTRUCTIONS

BP700QHW/QFW/QRW&BP800QHB/QFB/QRB QUEEN PANEL BED



Please check the T-nut before screwing up the support leg

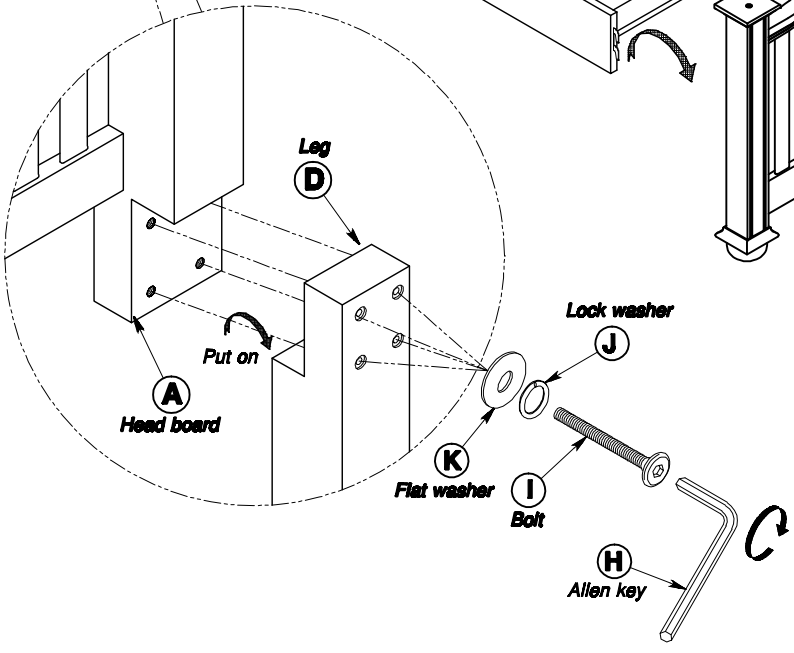
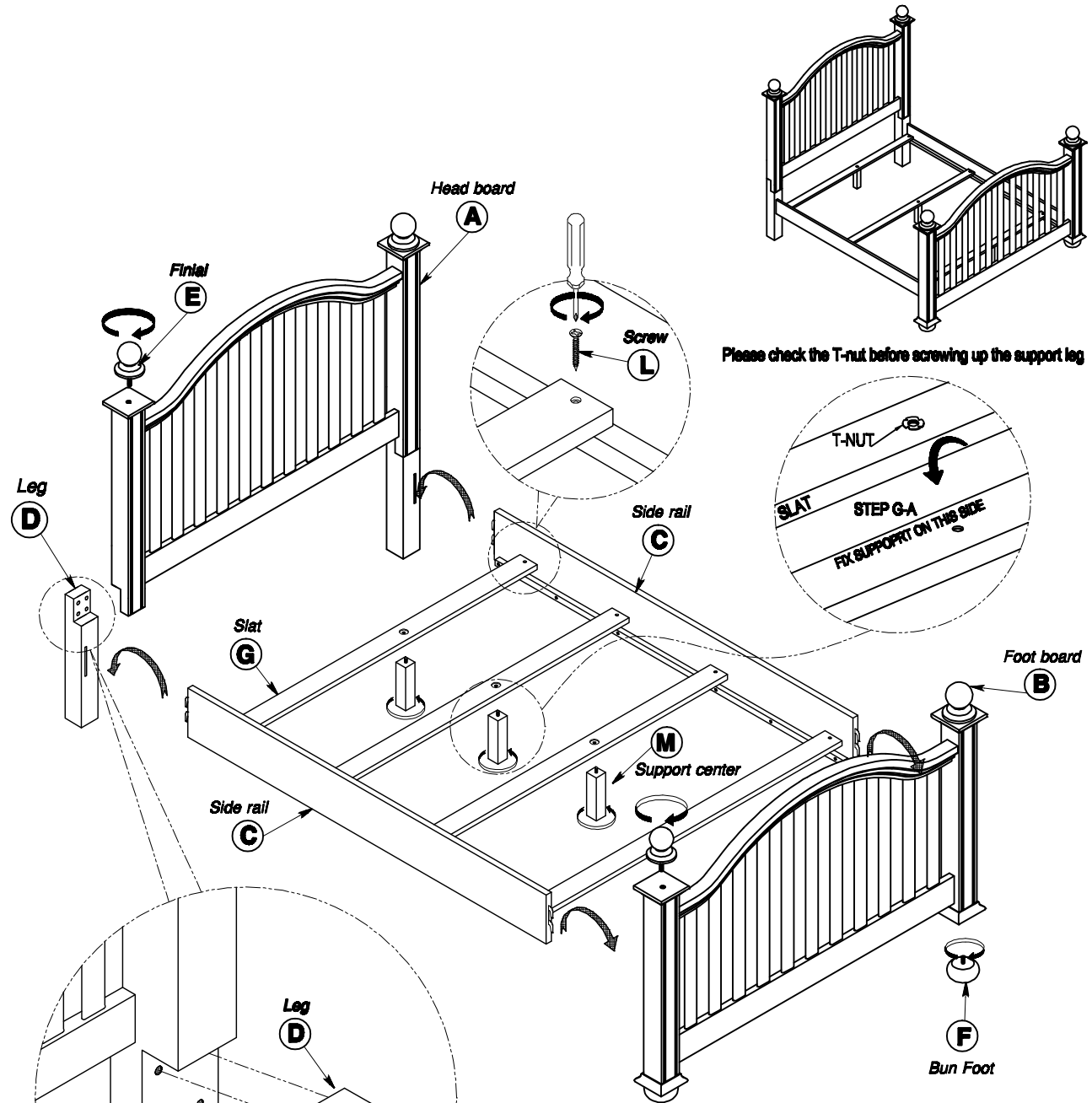


NO.	DESCRIPTION	QTY.
A	Head board	1
B	Foot board	1
C	Side rail	2
D	Leg	2
E	Slat	4
F	Allen key	1
G	Bolt (5/16"x38mm)	4
H	Lock washer (5/16")	4
I	Flat washer (5/16")	4
J	Screw (25mm)	8
K	Support center	3

Elements

ASSEMBLY INSTRUCTIONS

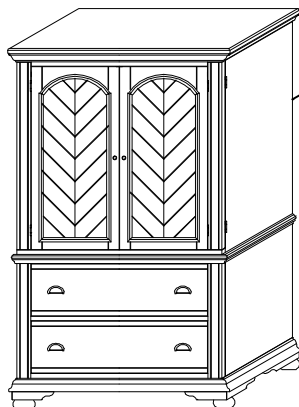
BP755QHW/QFW/QRW & BP855QHB/QFB/QRB QUEEN POST BED



NO.	DESCRIPTION	QTY.
A	Head board	1
B	Foot board	1
C	Side rail	2
D	Leg	2
E	Finial	4
F	Bun Foot	2
G	Slat	4
H	Allen key	1
I	Bolt (5/16"x51mm)	8
J	Lock washer (5/16")	8
K	Flat washer (5/16")	8
L	Screw (25mm)	8
M	Support center	3

Elements

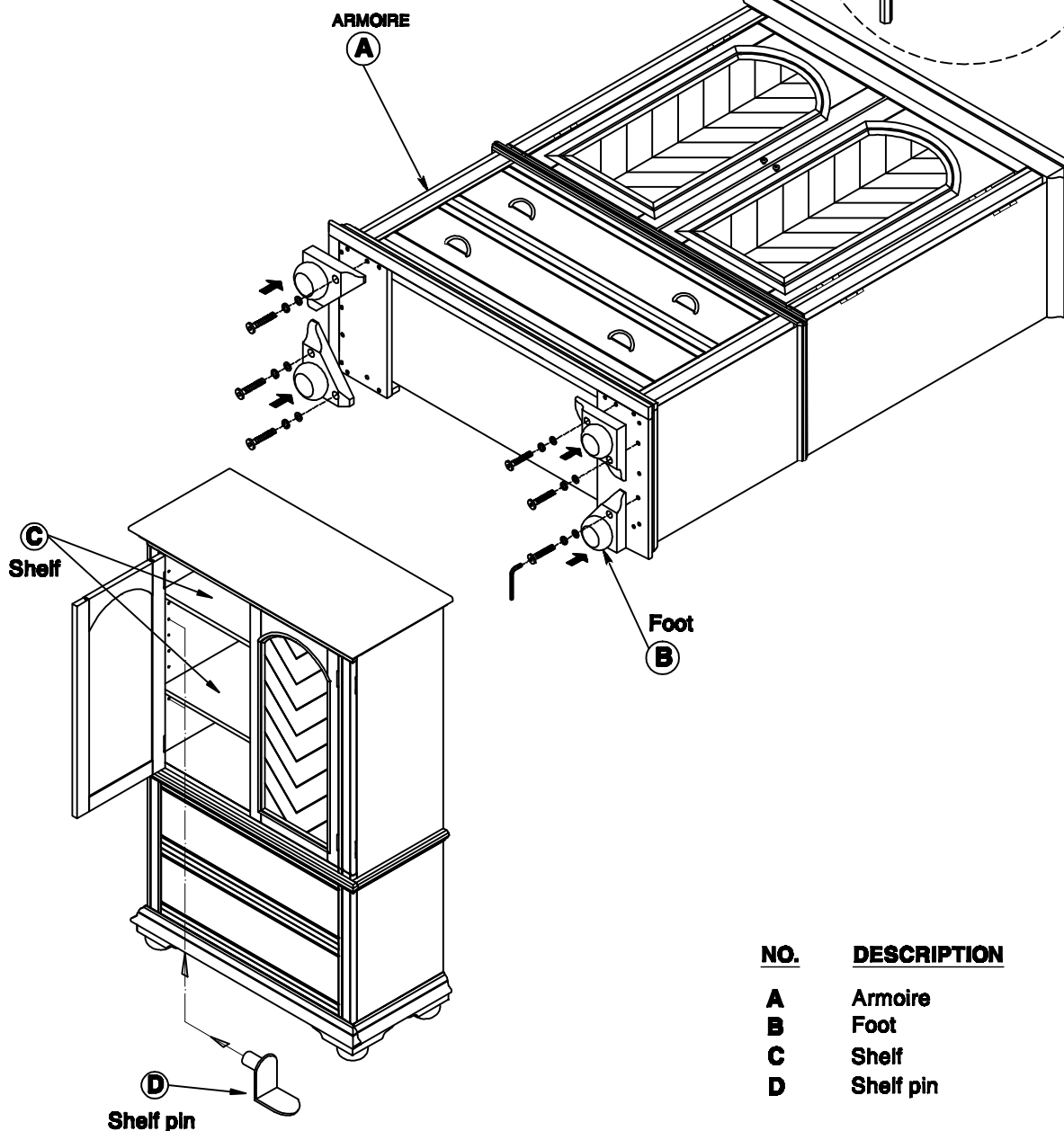
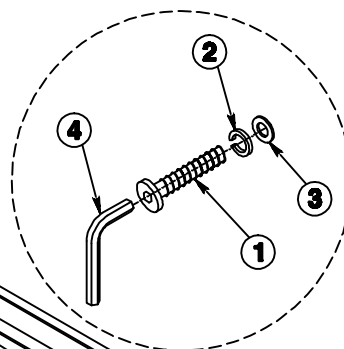
ASSEMBLY INSTRUCTIONS BP700ARW&BP800ARB TV ARMOIRE



Remark : Please be noted that the * safety bracket set with instruction is attached at the back side of the back panel.

NO.	Hardware List		Q'TY
1		5/16" *1-1/2" JCBC Bolt	8
2		5/16" Spring Washer	8
3		5/16" Flat Washer	8
4		1/4" Allen Key	1

* TV ARMOIRE
BP700ARW&BP800ARB

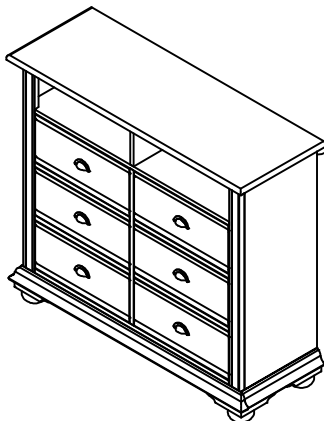


NO.	DESCRIPTION	QTY.
A	Armoire	1
B	Foot	4
C	Shelf	2
D	Shelf pin	8

Elements

ASSEMBLY INSTRUCTIONS

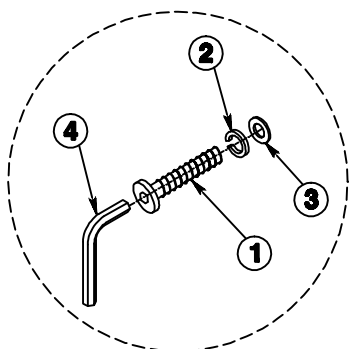
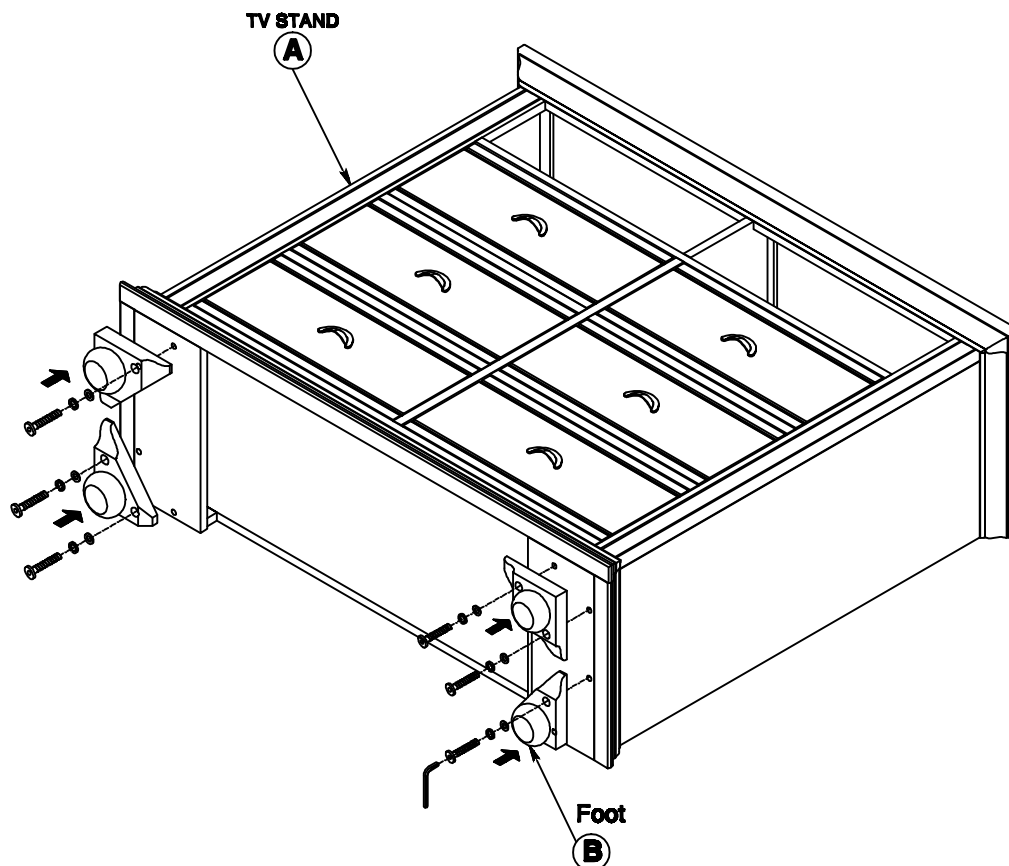
BP700TVW&BP800TVB TV STAND



Remark : Please be noted that the * safety bracket set with instruction is attached at the back side of the back panel.

NO.	Hardware List		Q'TY
1		5/16" *1-1/2" JCBC Bolt	8
2		5/16" Spring Washer	8
3		5/16" Flat Washer	8
4		1/4" Allen Key	1

* TV Stand
BP700TVW&BP800TVB



NO.	DESCRIPTION	QTY.
A	TV STAND	1
B	Foot	4